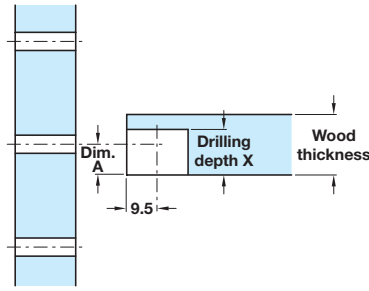


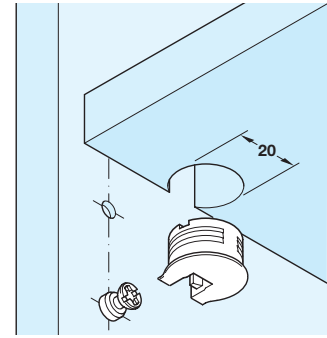
- **Rafix TAB** is an extension of the Rafix range for shelf connections:
- The housing is pressed into the shelf and pushed onto a Rafix $\varnothing 7$ mm connecting bolt, selected from the general range
- The tapered surfaces of Rafix TAB ensure an exceptionally tight connection
- Rafix TAB features a catch which prevents the shelf from moving upwards away from the Rafix connecting bolt
- For shelf and support panels, the drop-down shelves can be fastened using Rafix TAB alone
- For tall cabinets, we recommend using Rafix housings, page **28-29**

Drilling diagram for Rafix TAB



Drilling depth X = depending on housing type and wood thickness (see ordering table)

Dimension A = 1/2 wood thickness (see ordering table)



5

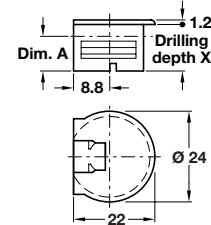
Connecting Fittings

A Rafix TAB housing

- **Plastic** housing
- For wood thicknesses from 16 mm

For wood thicknesses from	Dim. A	Drilling depth X	White	Cat. No. Brown	Black
16 mm	8.0 mm	12.7 ^{+0.3} mm	263.09.731	263.09.133	263.09.339

Order qty: Multiples of 100 pcs

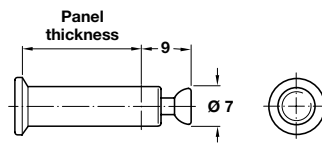


B Capped bolt

- For installation through $\varnothing 8$ mm holes
- For single-sided constructions
- Steel

For side panel thickness	Cat. No.
19 mm	263.25.735

Order qty: Multiples of 100 pcs



C Double-ended bolt

- For installation through $\varnothing 5$ mm holes
- For double-sided constructions
- For panel thicknesses 16-22 mm
- Steel

For side panel thickness	16 - 22 mm
Bright	263.24.041
Galvanized	263.24.943

Order qty: Multiples of 100 pcs

