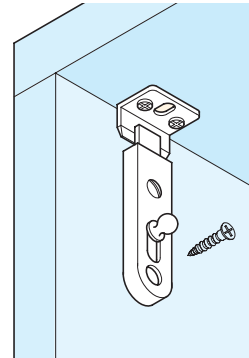
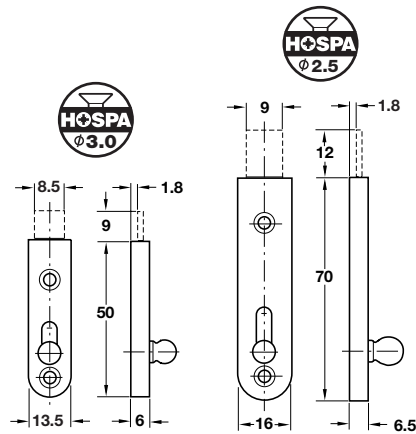


**A Furniture bolt with straight slide**

- Screw fixing
- Steel
- **Striking plate** must be ordered separately

Length	Brass-plated	Nickel-plated
50 mm	251.01.008	251.01.106
70 mm	251.01.026	251.01.124

Order qty: Multiples of 10 pcs



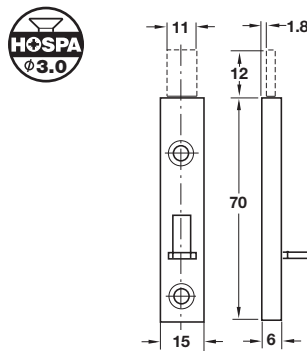
5

**B Furniture bolt with straight slide**

- Screw fixing
- Steel
- **Striking plate** must be ordered separately

Length	Brass-plated	Nickel-plated
70 mm	251.10.507	251.10.703

Order qty: Multiples of 10 pcs

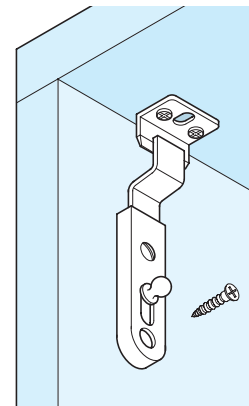
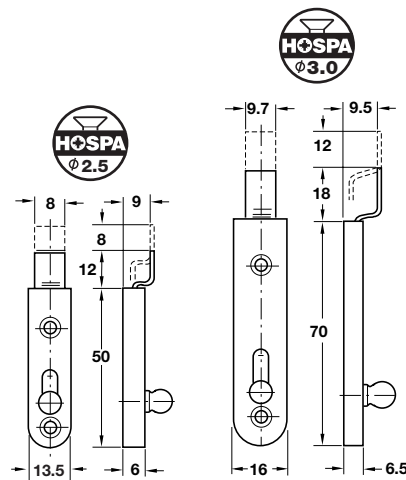


**C Furniture bolt with cranked side**

- Screw fixing
- Steel
- **Striking plate** must be ordered separately

Length	Brass-plated	Nickel-plated
50 mm	251.02.005	251.02.103
70 mm	251.02.023	251.02.121

Order qty: Multiples of 10 pcs

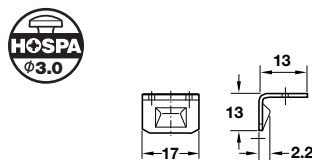


**D Angled striking plate**

- Screw fixing
- Steel

Finish	Brass-plated	Nickel-plated
Cat. No.	251.74.501	251.74.707

Order qty: Multiples of 100 pcs

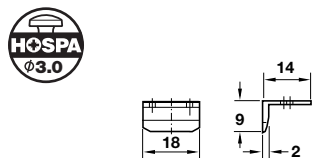


**E Angled striking plate**

- Screw fixing
- Brass

Finish	Polished	Nickel-plated
Cat. No.	251.60.007	251.60.703

Order qty: Multiples of 10 pcs



Catches, Latches and Bolts

TCH-FF 2010, HUK. Dimensional data not binding. We reserve the right to alter specifications without notice.