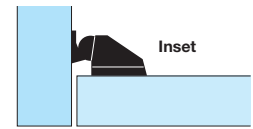
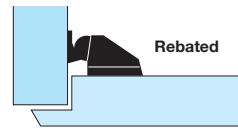
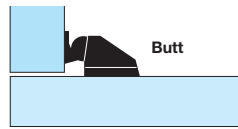


Catches

Roller Catches

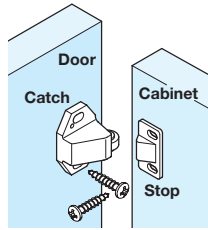
Roller catches

- Can be mounted on butt, rebated or inset closing doors



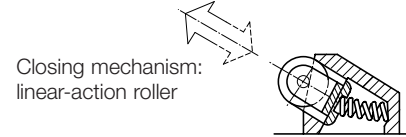
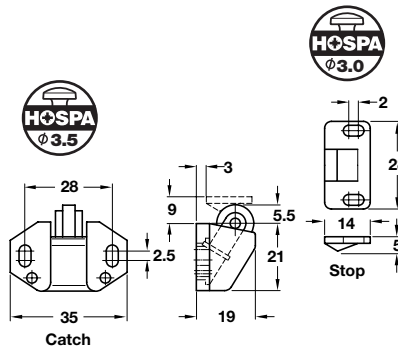
A Roller catch

- Screw fixing
- Plastic catch and stop
- Nylon roller



Finish	Cat. No.
White	243.15.704
Brown	243.15.106

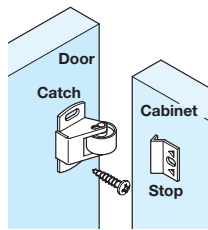
Order qty: Multiples of 10 pcs



5

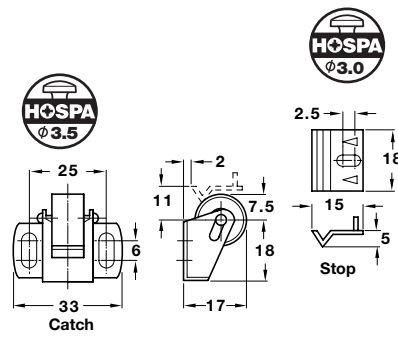
B Roller catch

- Screw fixing
- Steel catch and stop
- Nylon roller



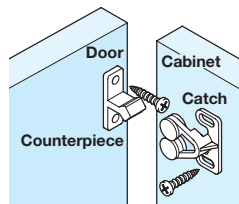
Finish	Cat. No.
Nickel-plated	241.01.719

Order qty: Multiples of 10 pcs



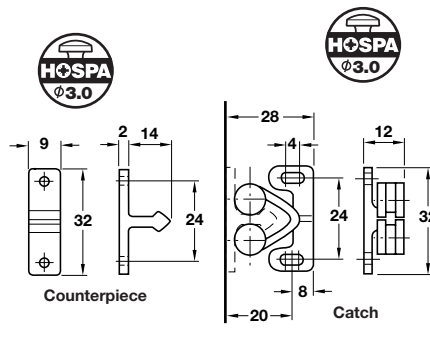
C Twin roller catch, spring loaded

- Screw fixing
- Nylon catch and counterpiece
- Nylon roller



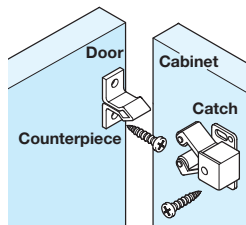
Finish	Cat. No.
Brown	244.03.100
Natural	244.03.700

Order qty: Multiples of 10 pcs



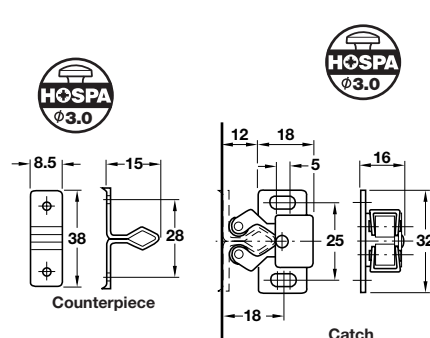
D Twin roller catch, spring loaded

- Screw fixing
- Steel catch and counterpiece
- Nylon roller



Finish	Cat. No.
Galvanized	244.01.901
Bronzed	244.01.113

Order qty: Multiples of 30 pcs



Catches, Latches and Bolts

TCH-FF 2010, HUK. Dimensional data not binding. We reserve the right to alter specifications without notice.