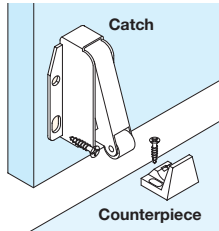
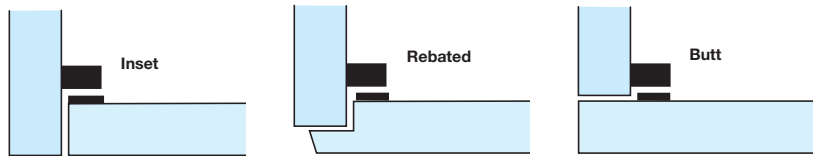


Catches

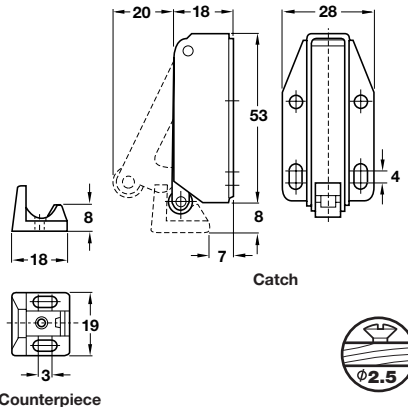
Automatic Spring Catches

• QUICK automatic spring catch

- Require neither handles nor knobs for their operation, specially developed to produce kitchen units and other built-in furniture with completely flush fronts
- The door is automatically opened by simply applying pressure to the door itself, thus activating the release spring in the fitting
- Light finger pressure on the door is sufficient to close it again
- Suitable for inset, rebated and butt closing doors



Use with unsprung hinges only

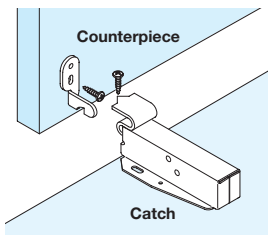


A QUICK automatic spring catch

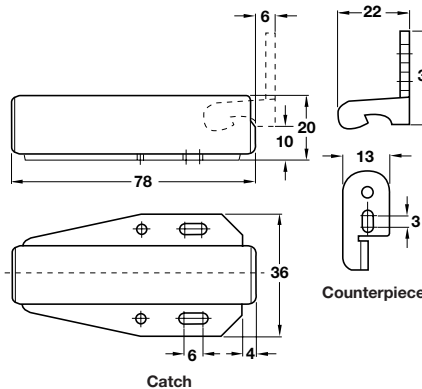
- Screw fixing
- Steel catch in choice of three finishes
- White plastic counterpiece

| Finish | Cat. No. |
|-------------------|------------|
| Bronzed | 245.55.100 |
| Brass-plated | 245.55.502 |
| Bright galvanized | 245.55.913 |

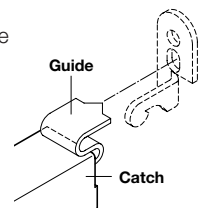
Order qty: 1 pc



Use with unsprung hinges only



A guide is supplied to centre the drill-hole for the slot in the counterpiece. It is placed in the catch housing and will locate the drilling centre when the door is pressed against it.

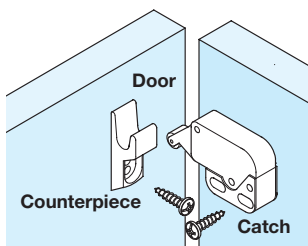


B TUTCH-LATCH automatic spring catch

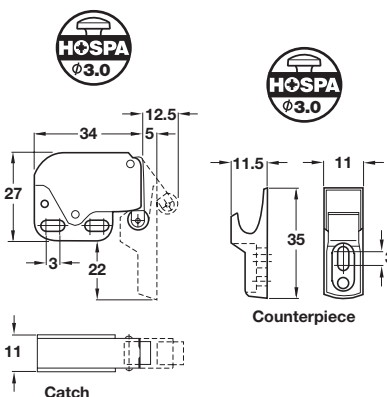
- Fixing screws included
- Steel

| Finish | Cat. No. |
|-------------------|------------|
| Bright galvanized | 245.56.901 |

Order qty: 1 pc



Use with unsprung hinges only



C MINI-LATCH automatic spring catch

- Screw fixing
- Steel catch
- White plastic counterpiece

| Finish | Cat. No. |
|---------------|------------|
| Nickel-plated | 245.54.701 |

Order qty: 1 pc

TCH-FF 2010, HUK. Dimensional data not binding. We reserve the right to alter specifications without notice.