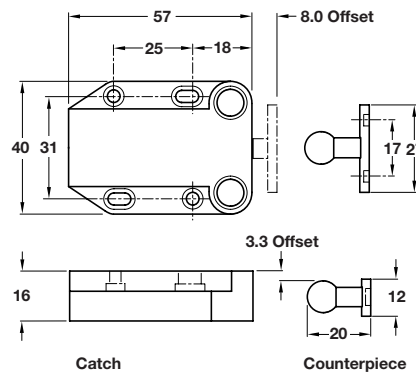


A Non-magnetic pressure catch

- For use where magnets would be harmful, such as near computer tapes and disc storage
- Cannot be pulled open or pushed open from the inside by falling objects
- Push gently to open or close door
- Fixing screws included
- Plastic

Pull (approx)	4 kg
Black	245.50.301

Order qty: 1 pc

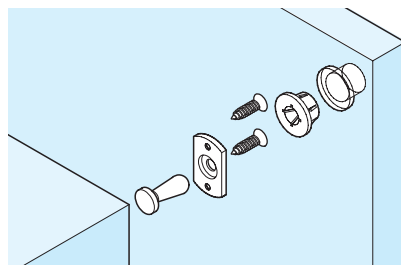
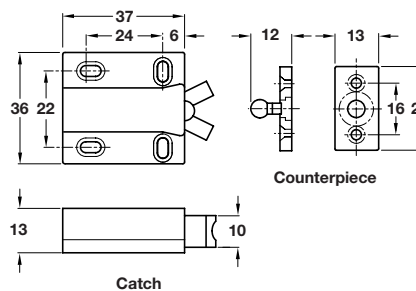


B Compact non-magnetic catch

- For use where magnets would be harmful, such as near computer tapes and disc storage
- Cannot be pulled open or pushed open from the inside by falling objects
- Push gently to open or close door
- Counterpiece consists of two parts allowing for easy adjustment even after the body is attached
- Fixing screws included
- Plastic

Pull (approx)	3 kg
Black	245.50.310

Order qty: 1 pc

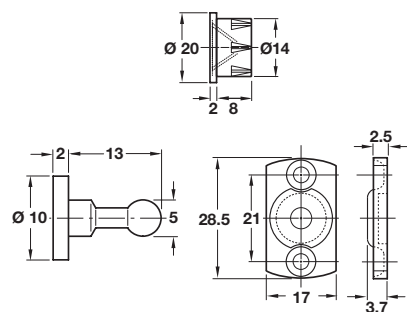


C Speaker panel connector

- To attach and remove panels or frames, without tools
- Pin floats in mounting plate - flexible drilling tolerances
- Plastic

Finish	Cat. No.
Black	260.71.303

Order qty: Multiples of 10 pcs



TCH-FF 2010, HUK. Dimensional data not binding. We reserve the right to alter specifications without notice.