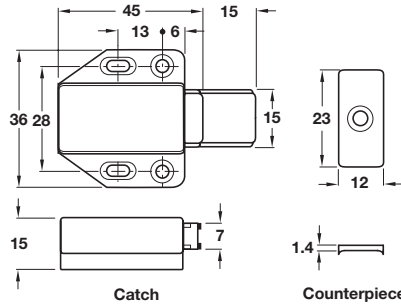


A Magnetic pressure catch

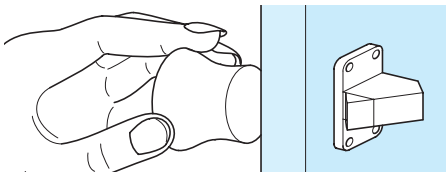
- With extra long throw
- For overlay door, gives 3 mm gap between door and cabinet frame for pushing space
- Fixing screws included
- Catch: ABS plastic
- Counterpiece: Yellow galvanized steel



Pull (approx)	1.4 kg
White	245.61.730
Brown	245.61.330

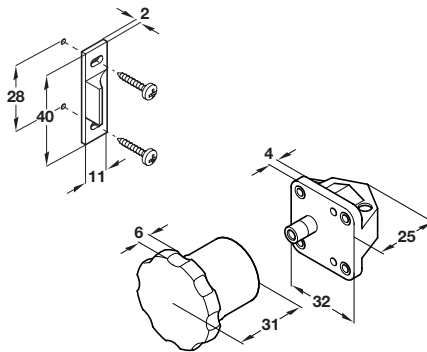
Order qty: 1 pc

5



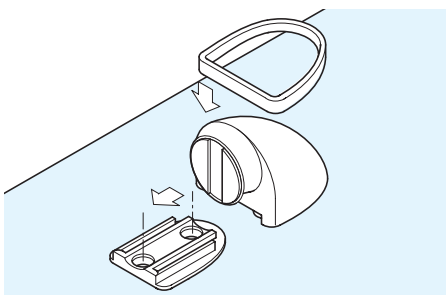
B Safe-Fix patented magnetic lock system

- Externally invisible lock, the key can be kept in a safe place out of the reach of children
- A magnetic key placed on the door releases the catch. When the magnet is removed the catch springs back so when the door is closed, it stays locked
- Maximum door thickness **25 mm**
- Consists of: 2x Templates, 2x Striking plates, 12x Ø 4 mm pan head screws, 1x Drill guide, 1x Magnetic key, 2x Adhesive pads, 2x Locks and plungers, 1x Fitting instructions
- Plastic



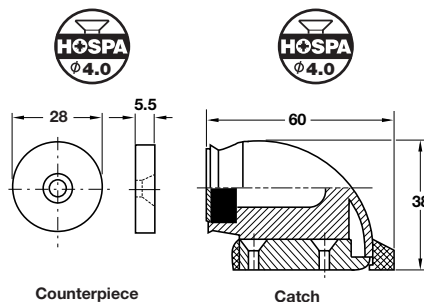
Finish	Cat. No.
White	245.41.790

Order qty: 1 set



C Door holder

- **For floor mounting**
- The heavy duty case absorbs impacts and vibrations
- Catch: Fixed, screw fixing
- Counterpiece: Fixed, screw fixing
- Brown plastic catch and steel counterpart



Pull (approx.)	20 kg
Cat. No.	246.98.100

Order qty: 1 pc

Catches, Latches and Bolts

TCH-FF 2010, HUK. Dimensional data not binding. We reserve the right to alter specifications without notice.