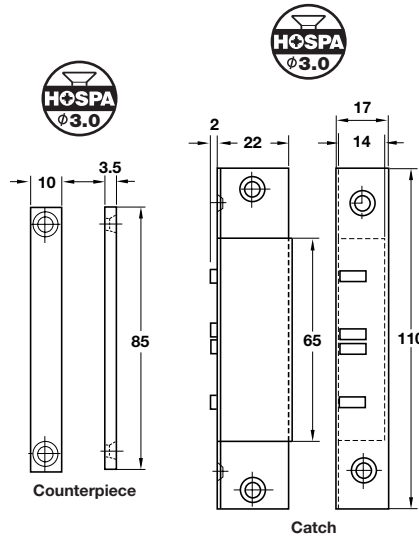


### A Magnetic catch

- For rebated interior doors (instead of lock)
- Catch: Floating, screw fixing
- Counterpiece: Fixed, screw fixing
- White galvanized steel catch and polished chrome-plated steel counterpiece

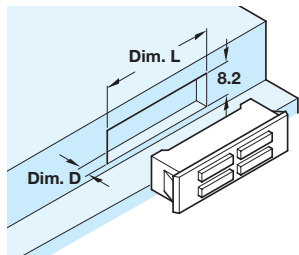
Pull (approx.)	7.5 kg
Cat. No.	246.75.607

Order qty: 1 pc



5

Catches, Latches and Bolts



### Aperture sizes:

Dim. D (mm)	0.5	1.0	1.5	2.0
Dim. L (mm)	54.9	56.1	57.3	58.5

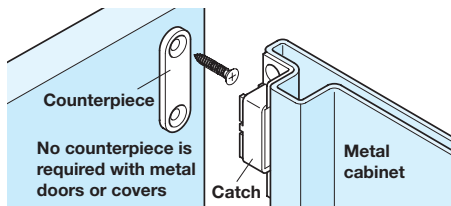
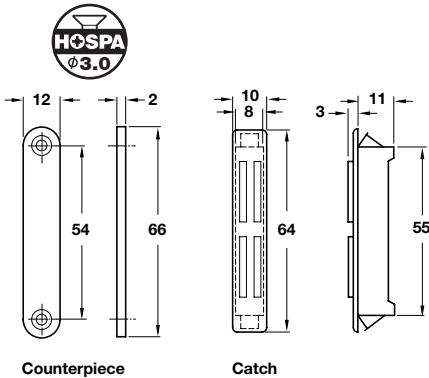
These are guideline values only. Before setting up tools or dies, always carry out preliminary trials with samples on the intended material

### B Magnetic catch

- For mounting into metal or plastic
- Catch: Floating, recessed, clip-in
- Counterpiece: Fixed, screw fixing
- White plastic catch and steel counterpiece

Pull (approx.)	8 kg
Cat. No.	246.41.745

Order qty: Multiples of 100 pcs

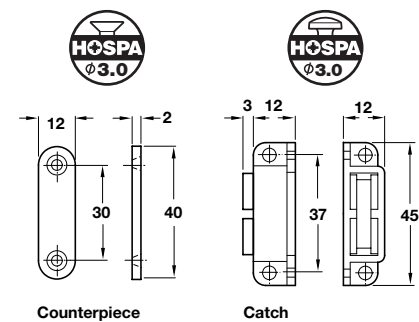


### C Magnetic catch

- Suitable for use on all types of metal furniture
- Heat resistant up to 300° C and so suitable for use on ovens
- Catch: Floating, screw fixing
- Counterpiece: Fixed, screw fixing
- Light metal catch and steel counterpiece
- **Please note:** The pull force is reduced by 1% per 5°C (+). Pull force returns to normal after the magnet has cooled down

Pull (approx.)	5 kg
Cat. No.	246.92.000

Order qty: 1 pc



TCH-FF 2010, HUK. Dimensional data not binding. We reserve the right to alter specifications without notice.