

## A Magnetic catch

- Screw fixing
- Catch: Fixed
- Zinc alloy
- Counterpiece must be ordered separately

Pull (approx)	4 kg
Finish	Cat. No.
Nickel-plated	246.94.701
Gold coloured	246.94.801

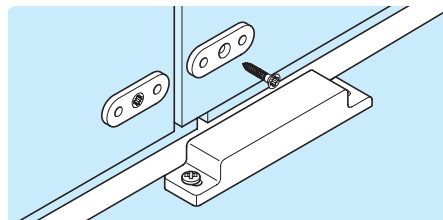
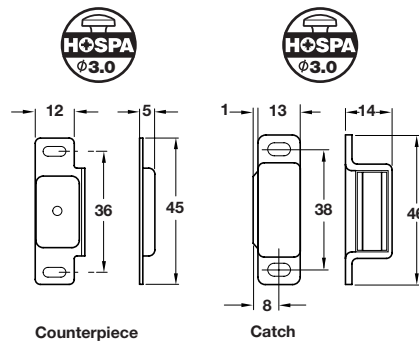
Order qty: 1 pc

## B Counterpiece

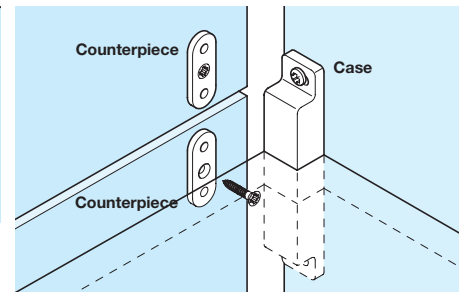
- Counterpiece: Floating with anti swivel rim
- Metal

Finish	Cat. No.
Nickel-plated	246.94.702
Gold coloured	246.94.802

Order qty: 1 pc



This magnetic catch can be mounted on the ceiling or floor of a two-door cupboard...



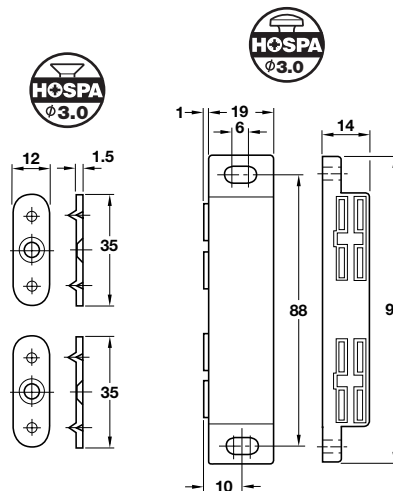
...or on the cabinet side panel with intervening shelf

## C Double magnetic catch

- Retain two doors on a single cabinet side panel or shelf
- Can be mounted on butt, rebated or flush doors
- Screw fixing
- Catch: Floating
- Counterpiece: Fixed
- Plastic catch and steel counterpart

Pull (approx.)	2 x 3-4 kg
Finish	Cat. No.
White	246.84.713
Brown	246.84.115

Order qty: Multiples of 10 pcs

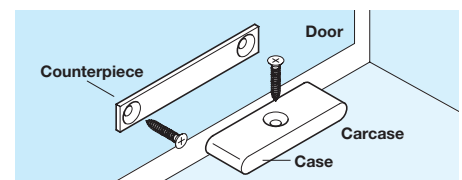
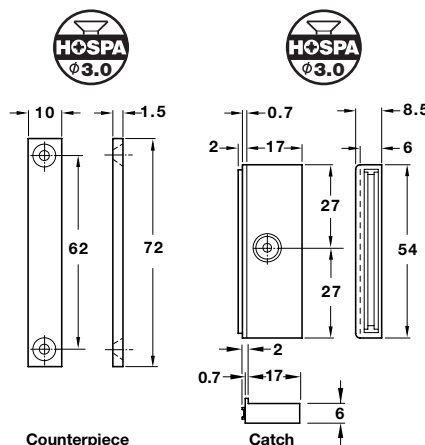


## D Magnetic catch, slim design

- With plate magnets
- Catch: Floating, screw fixing
- Counterpiece: Fixed, screw fixing
- Plastic catch and steel counterpart

Pull (approx.)	5 kg
Finish	Cat. No.
White	246.50.708
Brown	246.50.100

Order qty: 1 pc



TCH-FF 2010, HUK. Dimensional data not binding. We reserve the right to alter specifications without notice.