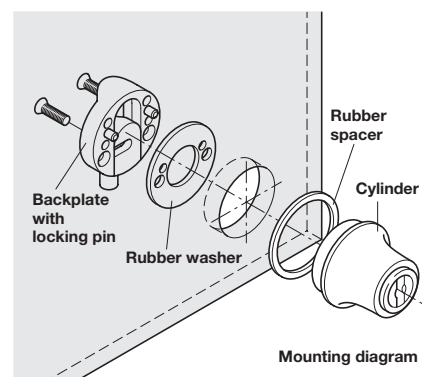
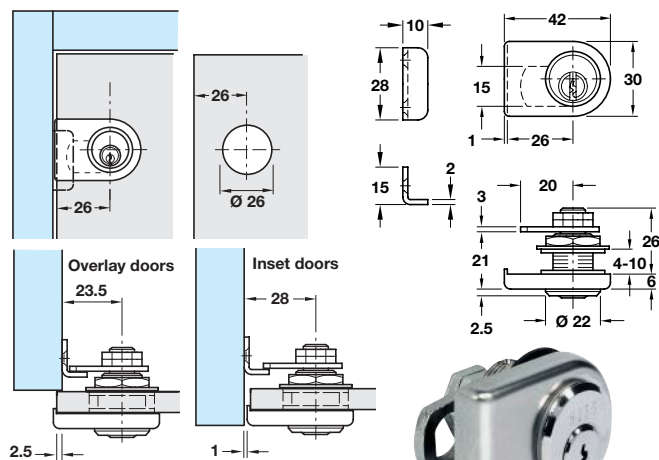
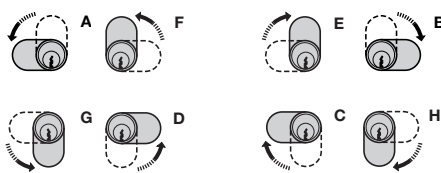


Locks

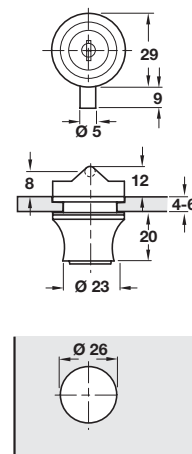
Locks for Hinged Glass Doors

- **90° Closure direction:**
- **Closure directions** can be altered by re-positioning the cam, but always moving in the same direction:
 Closure direction **A** can be altered to **D, F** or **G**
 Closure direction **B** can be altered to **C, E** or **H**





A Glass door cylinder lever lock

- With nut attachment
- For glass panels from **4-10 mm**
- Closure travel **90°**
- **With key trap**; key can only be removed in locked position
- **5 pairs of pin tumblers** = 20,000 possible key changes
- Nickel-plated or gold coloured zinc alloy trim cap
- Nickel-plated or polished brass cylinder
- **Accessories:** 2x keys, 1x plastic clamping plate and clamping rosette, 1x locking cam, 3x nuts and 1x angled steel striking plate
- ***Master key and general master key systems:** Please discuss with our sales staff before ordering, state closure direction, finish and suiting of locks required





Glass aperture diagram

Random key changes

| Closure direction |  A |  B |
|------------------------|---|---|
| Finish | 90° A (D, F, G) | 90° B (C, E, H) |
| Polished nickel-plated | 233.33.700 | 233.33.710 |
| Matt nickel-plated | 233.33.600 | 233.33.655 |
| Polished brass-plated | 233.33.806 | 233.33.851 |

Keyed alike: Key change H1

| Closure direction |  A |  B |
|------------------------|---|---|
| Finish | 90° A (D, F, G) | 90° B (C, E, H) |
| Polished nickel-plated | 233.33.701 | 233.33.711 |
| Matt nickel-plated | 233.33.619 | 233.33.664 |
| Polished brass-plated | 233.33.815 | 233.33.860 |

Order qty: 1 pc

With master/general master key system:*

| Finish | Master | General master |
|------------------------|------------|----------------|
| Polished nickel-plated | 233.33.798 | 233.33.799 |
| Matt nickel-plated | 233.33.698 | - |
| Polished brass-plated | 233.33.898 | 233.33.899 |

B Glass door cylinder locks

- For hinged, overlay doors only
- With locking pin and screw fixing backplate
- For glass panels from **4-6 mm**
- Non-removable cylinder
- **6 plate levers** = 1,000 possible key changes
- Matt nickel-plated zinc alloy housing and cylinder
- **Accessories:** 2x keys, 2x rubber washers and 2x threaded screws

Random key changes PL3001

| | |
|--|------------|
| Cat. No. | 233.05.700 |
| Keyed alike: Key change N 7921 PL | |
| Cat. No. | 233.05.701 |

Order qty: 1 pc



C Clamping rosette

- Replacement rosette for glass door cylinder lever locks **A**
- Plastic

| Finish | Cat. No. |
|--------|------------|
| Black | 233.33.002 |

Order qty: 1 pc