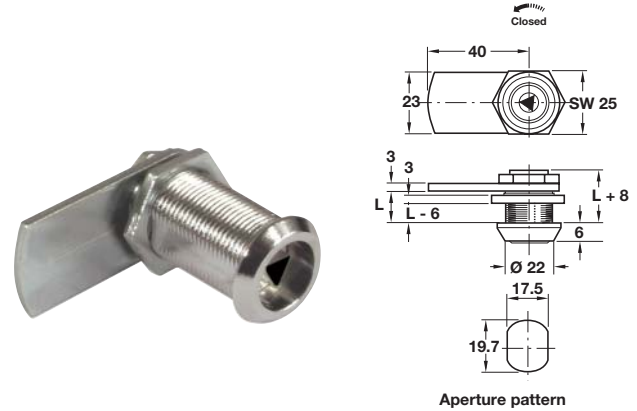
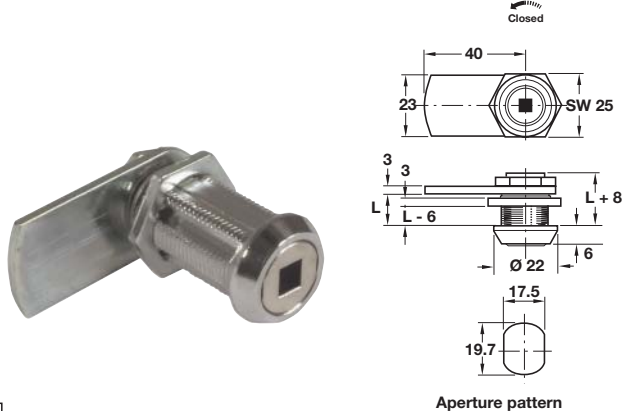
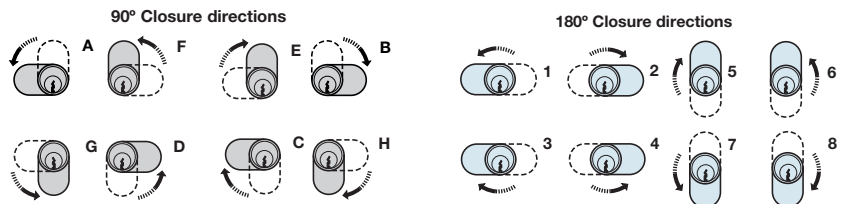


90° and 180° Closure directions

Closure directions can be altered by re-positioning the cam, but always moving in the same direction:

- Closure direction **A** can be altered to **D, F** or **G**
- Closure direction **B** can be altered to **C, E** or **H**
- Closure direction **1** can be altered to **2 - 8**



A Cam lock for square profile key

- With **straight cam** and nut attachment
- 6 mm square key hole
- Closure travel **180°**
- Galvanized steel nuts and cam
- Polished chrome-plated zinc alloy cylinder
- Accessories:** 1x locking cam and 2x nuts
- Key B** must be ordered separately

Cam Lock for square profile key	
Closure direction	
Length L	180° 1(2-8)
13.0 mm	235.76.203
26.0 mm	235.77.200
32.5 mm	235.78.207

Order qty: 1 pc

C Cam lock for triangular socket key

- With **straight cam** and nut attachment
- 7 mm triangular pin
- Closure travel **90°**
- Galvanized steel nuts and cam
- Polished chrome-plated zinc alloy cylinder
- Accessories:** 1x locking cam and 2x nuts
- Key D** must be ordered separately

Cam lock for triangular socket key	
Closure direction	
Length L	90° A(D,F,G)
13.0 mm	235.79.213
32.5 mm	235.81.213

Order qty: 1 pc

B Square-profile key

- For use with cam lock **A**
- Cast iron

Finish	Cat. No.
Nickel-plated	235.76.909

Order qty: 1 pc

D Triangular socket key

- For use with cam lock **C**
- Cast iron

Finish	Cat. No.
Nickel-plated	235.79.900

Order qty: 1 pc

E Locking plate

- For cam locks with aperture pattern 19.7 x 17.5 mm
- Steel

Finish	Cat. No.
Galvanized	235.73.908

Order qty: Multiples of 10 pcs

