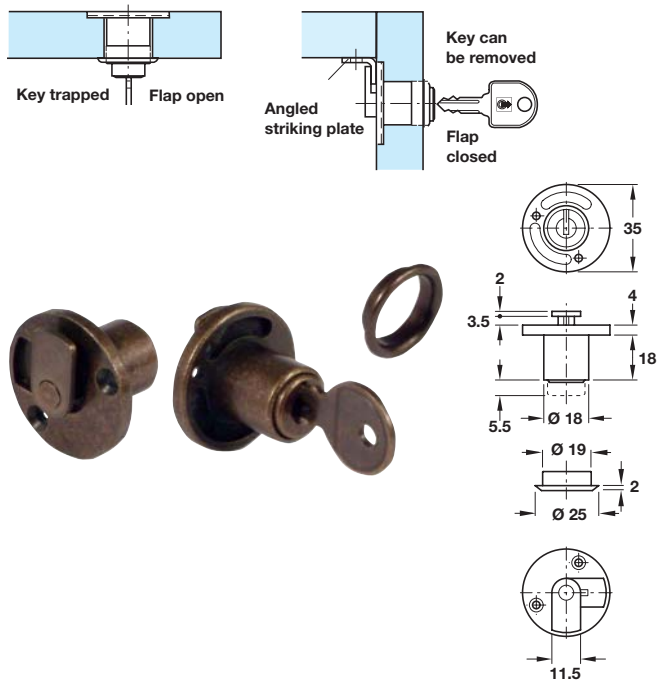


With key trap



5

Locks

A Rondell inlaid cylinder flap lock

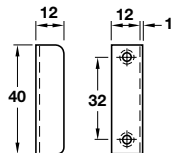


- With $\text{Ø } 18 \text{ mm}$ cylinder
- **With key trap;** key can only be removed in locked position
- Plastic or zinc alloy case
- Matt nickel-plated zinc alloy cylinder
- **Accessories:** 1x key and 1x cylinder rosette
- **Angled striking plate must be ordered separately**

Keyed alike	Cat. No.
Plastic case	
White	219.25.717
Brown	219.25.119
Zinc alloy case	
Matt nickel-plated	219.25.619
Polished brass-plated	219.25.511
Brass antique	219.25.217

Order qty: 1 pc

Other striking plates are shown on page 141



B Striking plate, angled

- For **one door closing**
- Screw fixing
- Steel



Finish	Cat. No.
Nickel-plated	239.41.013
Brass-plated	239.41.513

Order qty: Multiples of 10 pcs

C Rondell inlaid cylinder flap lock



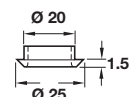
- With $\text{Ø } 19 \text{ mm}$ cylinder
- **With key trap;** key can only be removed in locked position
- 5 plate levers = 200 possible key changes
- Matt nickel-plated or gold coloured zinc alloy case and cylinder
- **Accessories:** 2x keys
- **Cylinder rosette and angled striking plate** must be ordered separately

Random key changes	
Finish	Cat. No.
Matt nickel-plated	219.27.051
Gold coloured	219.27.551

Order qty: 1 pc

Keyed alike: Key change FH1	
Finish	Cat. No.
Matt nickel-plated	219.27.006
Gold coloured	219.27.506

Order qty: 1 pc



D Cylinder rosette

- For use with $\text{Ø } 19 \text{ mm}$ cylinders
- Brass

Finish	Cat. No.
Bright nickel	219.27.686
Polished brass	219.27.580

Order qty: Multiples of 10 pcs

TCH-FF 2010, HUK. Dimensional data not binding. We reserve the right to alter specifications without notice.