

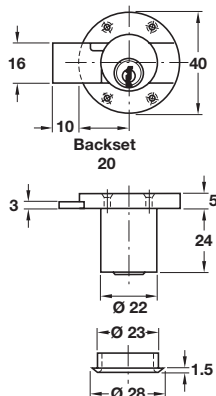
Locks

Minilock 40 Rim Locks

***Master key and general master key system:**
Please discuss with our sales staff before ordering.
State whether left, right or drawer use required.

Striking plates are shown on **page 141**
Spacer plates are shown **below right**

5 Locks



A Minilock 40 rim lock

- With $\varnothing 22$ mm cylinder
- Backset: **20 mm**
- Screw fixing
- Left handed, right handed or for drawer use
- **5 pairs of pin tumblers** = 20,000 possible key changes
- Matt nickel-plated zinc alloy case
- Matt nickel-plated brass cylinder
- **Accessories:** 2x keys and 1x cylinder rosette
- **Spacer plates** are available separately if required

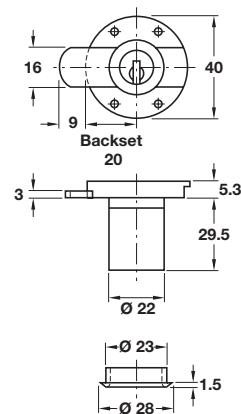
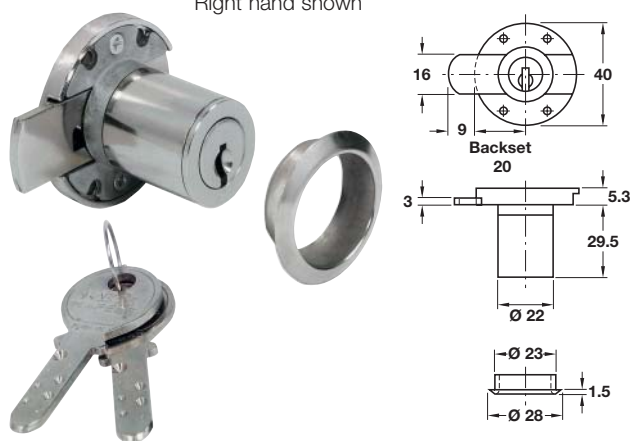


Random key changes			
	Left	Right	Drawer
Cat. No.	230.19.614	230.19.605	230.19.623
Keyed alike			
Key change	Left	Right	Drawer
H1	230.19.810	230.19.712	230.19.918
H2	230.19.829	-	-
H3	230.19.838	-	-
H4	230.19.847	-	-
H5	230.19.856	-	-

Order qty: 1 pc

With master key system:*	
Cat. No.	230.19.698*
With general master key system:*	
Cat. No.	230.19.699*

Right hand shown



B Minilock 40 rim lock

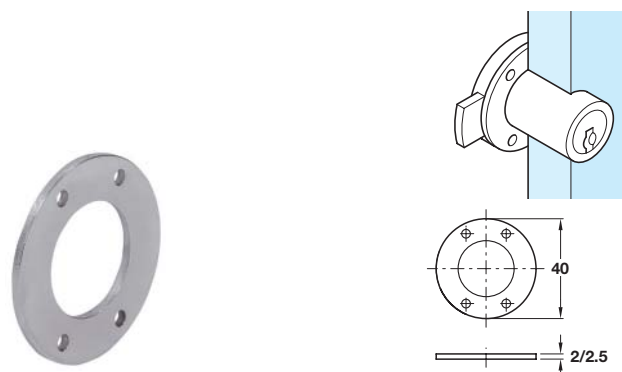


- With $\varnothing 22$ mm Kaba® 8 cylinder
- Backset: **20 mm**
- Screw fixing
- Left handed, right handed or for drawer use
- **8 pairs of pin tumblers** = 100,000 possible key changes
- Matt nickel-plated zinc alloy case
- Matt nickel-plated brass cylinder
- **Accessories:** 2x keys and 1x cylinder rosette
- **Spacer plates** are available separately if required

Random key changes			
	Left	Right	Drawer
Cat. No.	230.13.612	230.13.603	230.13.621
Keyed alike: Key change K1			
	Left	Right	Drawer
Cat. No.	230.13.818	230.13.710	230.13.916

Order qty: 1 pc

With master key system:*	
Cat. No.	230.13.698*
With general master key system:*	
Cat. No.	230.13.699*



C Minilock 40 spacer plate

- Two sizes for $\varnothing 18$ mm or $\varnothing 22$ mm cylinders
- Steel or plastic

For $\varnothing 18$ mm cylinder	Cat. No.
Light grey plastic, 2.5 mm thick	230.07.990

Order qty: Multiples of 10 pcs

For $\varnothing 22$ mm cylinder	Cat. No.
Nickel-plated steel, 2.0 mm thick	230.13.998

Order qty: Multiples of 10 pcs

TCH-FF 2010, HUK. Dimensional data not binding. We reserve the right to alter specifications without notice.