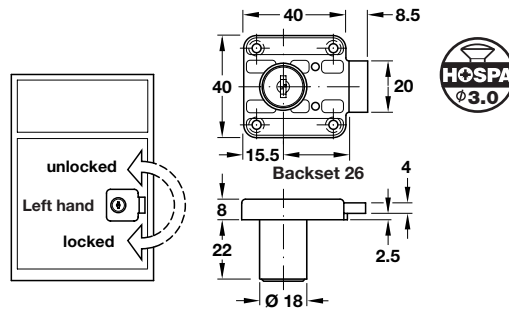


Striking plates are shown on page 141

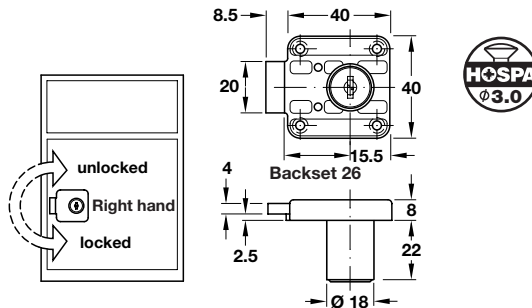
### A Rim lock

- With  $\varnothing$  18 mm cylinder
- Backset: 26 mm
- Screw fixing
- **5 plate levers** = 200 possible key changes
- Zinc alloy case and cylinder
- **Accessories:** 2x keys
- **Cylinder rosette** must be ordered separately (see item **B** below)

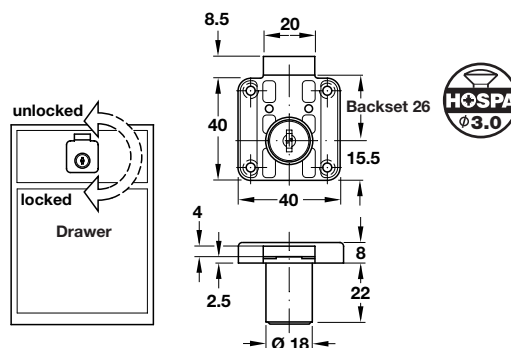
Random key changes		Left hand
Finish	Cat. No.	
Gold coloured	232.04.917	
Matt nickel-plated	232.04.613	
Chrome-plated	232.04.211	
Keyed alike: Key change FH1		
Finish	Cat. No.	
Gold coloured	232.04.962	
Matt nickel-plated	232.04.668	
Chrome-plated	232.04.266	



Random key changes		Right hand
Finish	Cat. No.	
Gold coloured	232.04.908	
Matt nickel-plated	232.04.604	
Chrome-plated	232.04.202	
Keyed alike: Key change FH1		
Finish	Cat. No.	
Gold coloured	232.04.953	
Matt nickel-plated	232.04.659	
Chrome-plated	232.04.257	



Random key changes		Drawer
Finish	Cat. No.	
Gold coloured	232.04.926	
Matt nickel-plated	232.04.622	
Chrome-plated	232.04.220	
Keyed alike: Key change FH1		
Finish	Cat. No.	
Gold coloured	232.04.971	
Matt nickel-plated	232.04.677	
Chrome-plated	232.04.275	



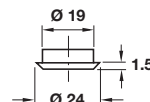
Order qty: 1 pc

### B Cylinder rosette

- Suitable for  $\varnothing$  18 mm cylinders
- Steel or brass

Steel	Cat. No.
Polished brass	219.19.876
Matt nickel-plated	219.19.676

Order qty: Multiples of 100 pcs



Brass	Cat. No.
Bright nickel	219.19.273

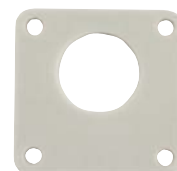
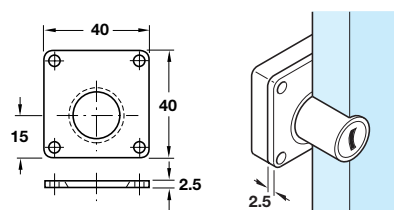
Order qty: Multiples of 100 pcs

### C Spacer plate

- Suitable for rim lock **A**
- Plastic

Finish	Cat. No.
Light grey	232.03.992

Order qty: Multiples of 10 pcs



TCH-FF 2010, HUK. Dimensional data not binding. We reserve the right to alter specifications without notice.