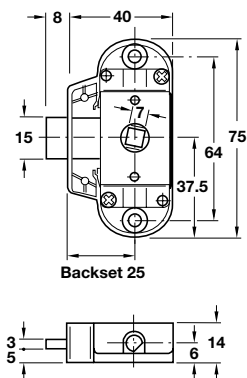


Espagnolette Locks

Piccolo-Nova Espagnolette Locks

Espagnolette lock accessories for Ø 6 mm profile rod suitable for **Piccolo-Nova** are shown on page 138



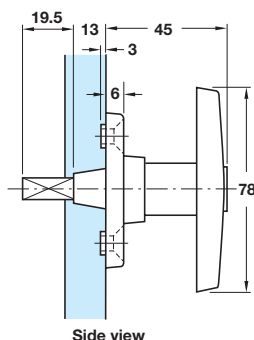
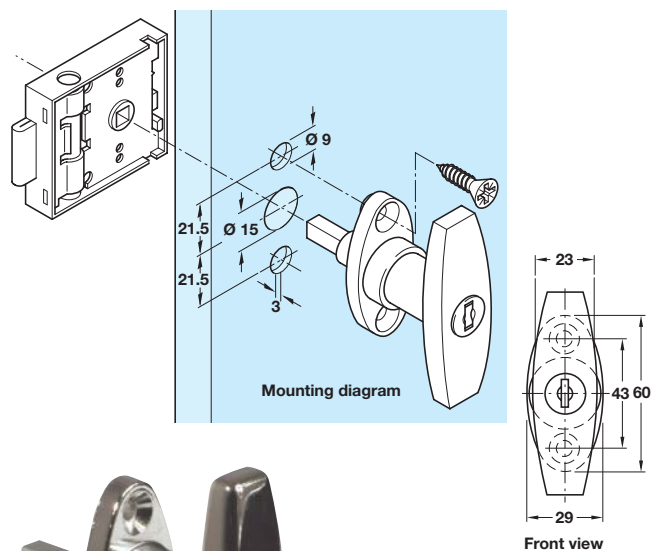
A Piccolo-Nova lock case

- With aperture for 7 mm square spindle
- Backset: **25 mm**
- Left or right handed
- Plastic spindle aperture
- Zinc alloy lock case



Finish	Left hand	Right hand
Matt nickel-plated	225.57.660	225.57.615

Order qty: 1 pc



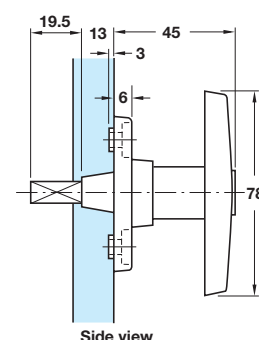
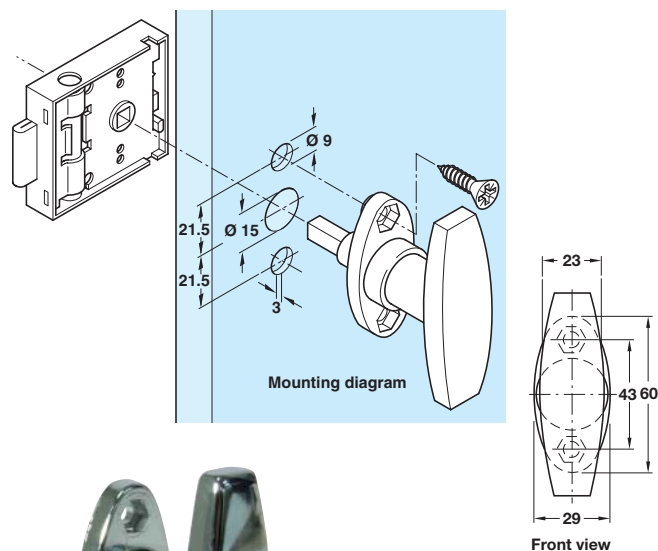
B Lock handle with cylinder

- With 7 mm square spindle, suitable for use with **Piccolo-Nova** or **Extending Rod lock** cases with **7 mm square aperture**
- **6 plate levers** = 200 possible key changes
- Zinc alloy case
- Zinc alloy cylinder
- **Accessories:** 2x keys



Finish	Cat. No.
Polished chrome-plated	227.12.410

Order qty: 1 pc



C Rotary handle

- With 7 mm square spindle, suitable for use with **Piccolo-Nova** or **Extending Rod lock** cases with **7 mm square aperture**
- Zinc alloy



Finish	Cat. No.
Polished chrome-plated	227.12.456

Order qty: 1 pc

TCH-FF 2010, HUK. Dimensional data not binding. We reserve the right to alter specifications without notice.