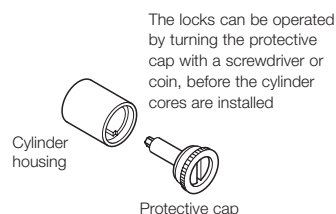
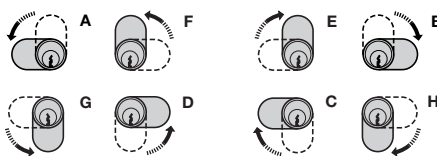


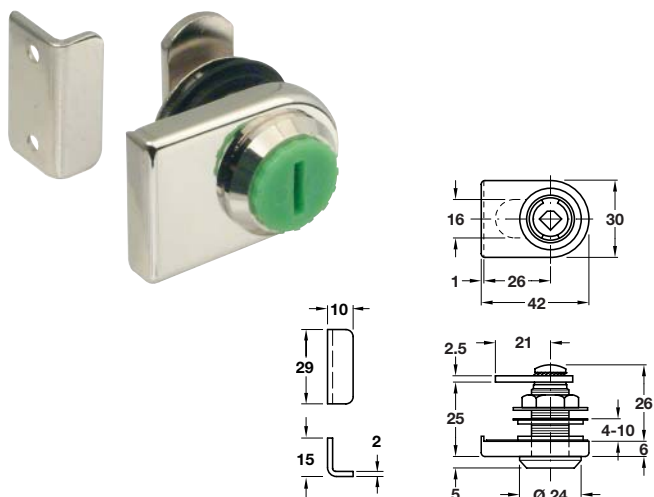
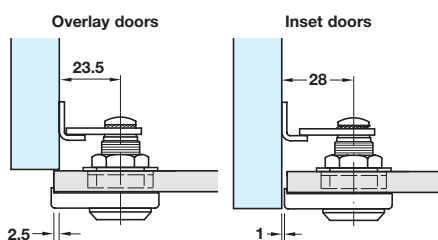
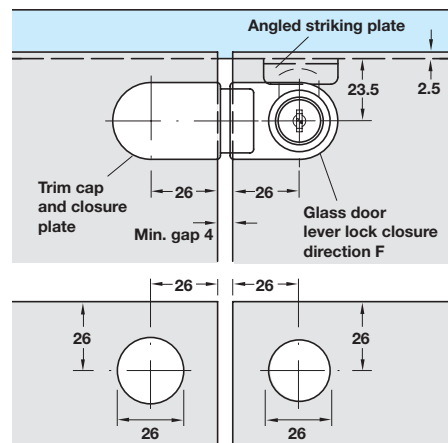
Symo 3000 Locking System

Glass Door Lever Locks, Trim Caps and Closure Plates

- ***90° Closure direction:**
- **Closure directions** can be altered by re-positioning the cam, but always moving in the same direction:
 Closure direction **A** can be altered to **D, F or G**
 Closure direction **B** can be altered to **C, E or H**



Note: Glass door lever lock cases are only suitable for use with **plate lever cylinder cores** shown on page 130



A Symo 3000 glass door lever lock case

- For on-site installation of cylinder cores
- For glass thickness **4-10 mm**
- **Closure travel 90°, convertible***
- Bright zinc alloy
- **Accessories:** 1x locking cam, 1x nut and 1x angled steel striking plate, 1x clamping plate and 1x clamping plastic rosette

Closure direction	A (D, F, G*)	B (C, E, H*)
Polished nickel-plated	233.42.600	233.42.610
Matt nickel-plated	233.42.700	233.42.710

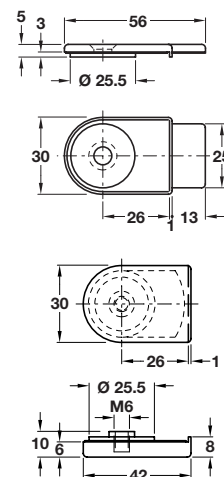
Order qty: 1 pc



**Threaded screws:

M6 x 10 mm
for glass panels
up to 8 mm

M6 x 12 mm
for glass panels
up to 10 mm



B Trim cap and closure plate

- For use on double doors, opposite the lock
- For glass panels from **4-10 mm****
- Use on left or right hand door
- Zinc alloy
- **Accessories:** 2x M6 threaded screws, 2x plastic clamping plates and 1x clamping element

Finish	Cat. No.
Polished nickel-plated	233.40.712
Polished brass-plated	233.40.810
Matt nickel-plated	233.40.610

Order qty: 1 pc