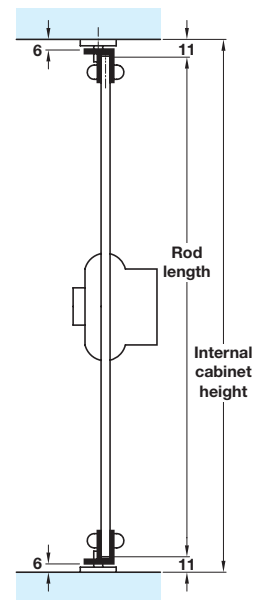
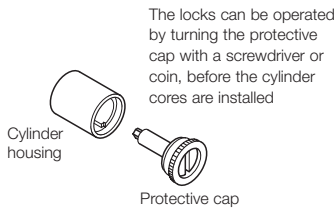
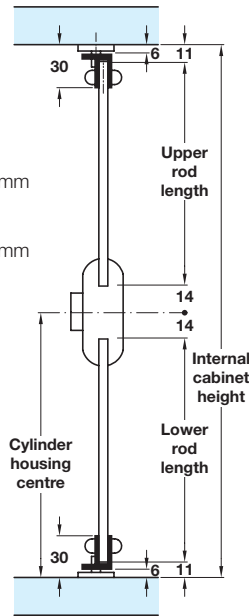


Maximum rod dimensions:
Upper rod length
 = cylinder housing centre - 25 mm
Lower rod length
 = cylinder housing centre - 25 mm

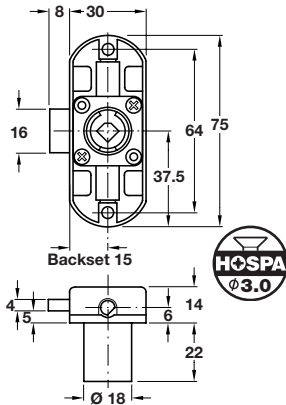


5

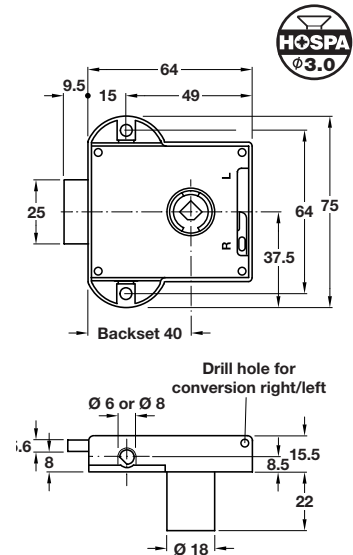
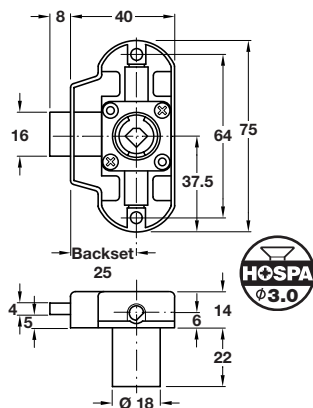
Locks



15 mm backset



25 mm backset



B Symo 3000 Standard-Nova lock case

- For on-site installation of cylinder cores
- Backset **40 mm**
- Screw fixing
- For **Ø 6 mm** or **Ø 8 mm** profile rod
- Unhanded
- Nickel-plated zinc alloy
- Order **cylinder rosette** separately

For profile rod	Cat. No.
Ø 6 mm	224.65.610
Ø 8 mm	224.65.600

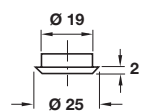
Order qty: 1 pc

A Symo 3000 Piccolo-Nova lock case

- For on-site installation of cylinder cores
- Backset: **15 or 25 mm**
- Screw fixing
- For **Ø 6 mm** divided profile rod
- Left or right handed
- Nickel-plated zinc alloy
- Order **cylinder rosette** separately

Backset	Left	Right
15 mm	224.64.650	224.64.600
25 mm	224.64.660	224.64.610

Order qty: 1 pc



C Cylinder rosette

- Stainless steel

Finish	Cat. No.
Polished nickel-plated	219.19.677

Order qty: Multiples of 100 pcs

TCH-FF 2010, HUK. Dimensional data not binding. We reserve the right to alter specifications without notice.