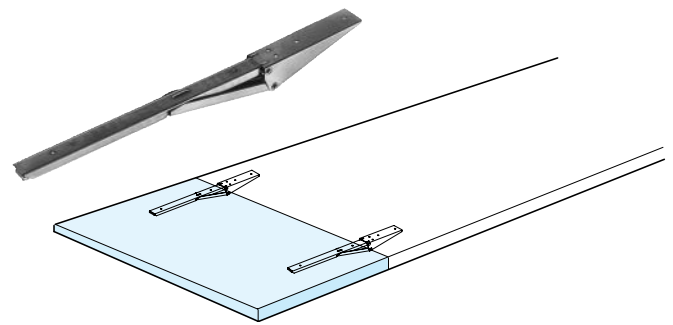


A Hinged spring bracket

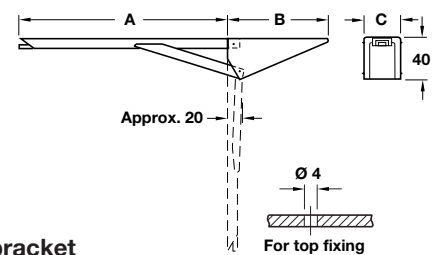
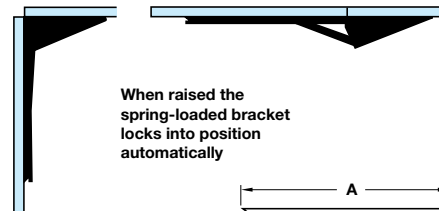
- Screw fixing
- Suitable for extending tables and worktops
- For vertical installation
- Load carrying capacity **40 kg** per pair
- Yellow chromatinized steel

Dim. A	Dim. B	Dim. C	Cat. No.
250 mm	85 mm	30 mm	287.41.906
380 mm	120 mm	30 mm	287.41.915

Order qty: 1 pc (1 pc = 1 bracket)



Bracket for horizontal installation

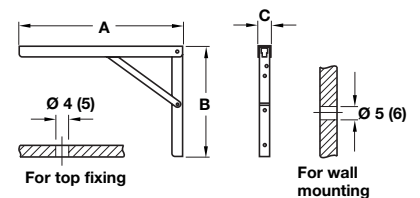


B Hinged spring bracket

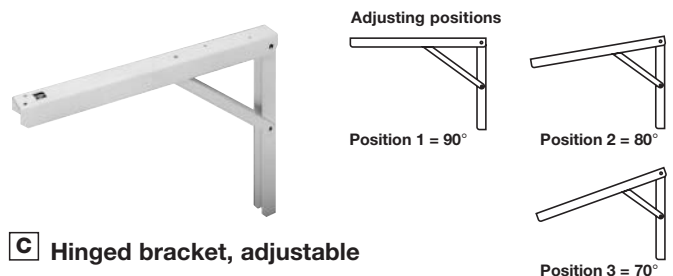
- Screw fixing
- Suitable for extending tables and worktops
- For horizontal installation
- Load carrying capacity up to **30 kg** per pair
- Yellow chromatinized steel

Dim. A	Dim. B	Dim. C	Cat. No.
280 mm	130 mm	30 mm	287.41.951

Order qty: 1 pc (1 pc = 1 bracket)



Dimensions in brackets for Length A = 400 mm



C Hinged bracket, adjustable

- Adjustable in 3 positions
- Screw fixing
- Load carrying capacity **200 kg** per pair
- Steel

Dim. A	Dim. B	Dim. C	Cat. No.	
			White	Galvanized
300 mm	200 mm	30 mm	287.55.730	287.55.930
400 mm	270 mm	36 mm	287.55.740	287.55.940

Order qty: 1 pc (1 pc = 1 bracket)

TCH-FF 2010, HUK. Dimensional data not binding. We reserve the right to alter specifications without notice.