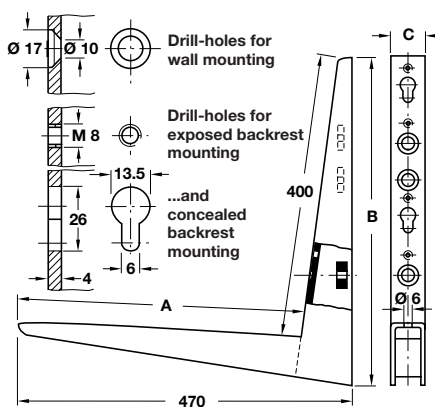
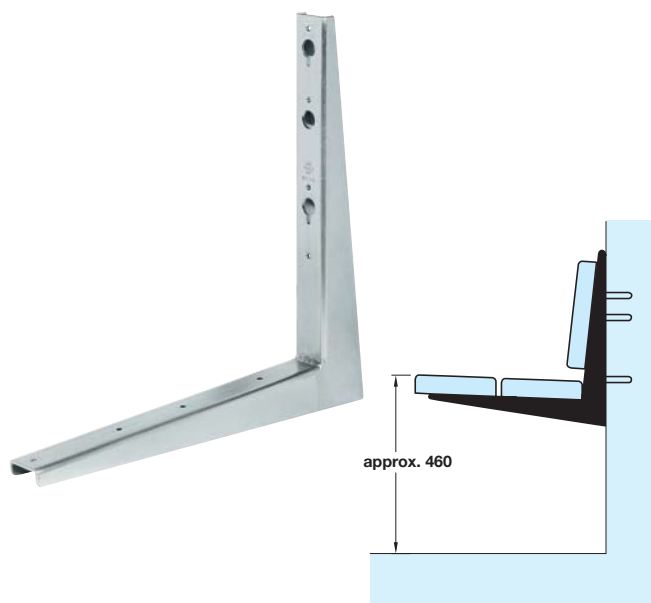


A Fixed bracket

- Load carrying capacity **110 kg** per pair
- White enamelled steel

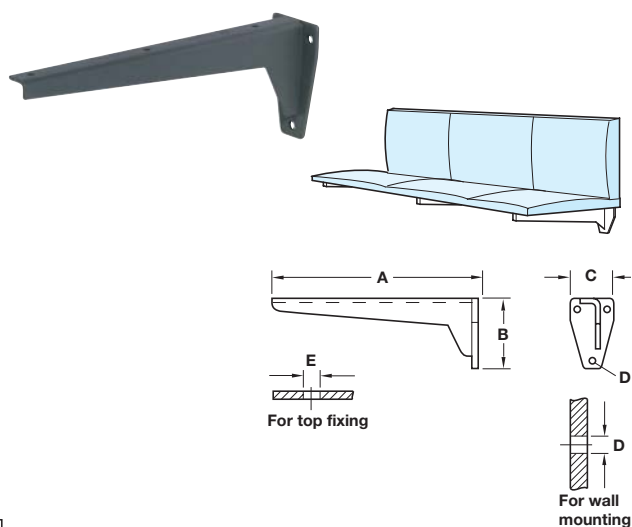
Dim. A	Dim. B	Dim. C	Cat. No.
295 mm	210 mm	30 mm	287.31.204
395 mm	270 mm	30 mm	287.31.213
495 mm	330 mm	30 mm	287.31.222

Order qty: 1 pc (1 pc = 1 bracket)



5

Shelf Supports and Brackets

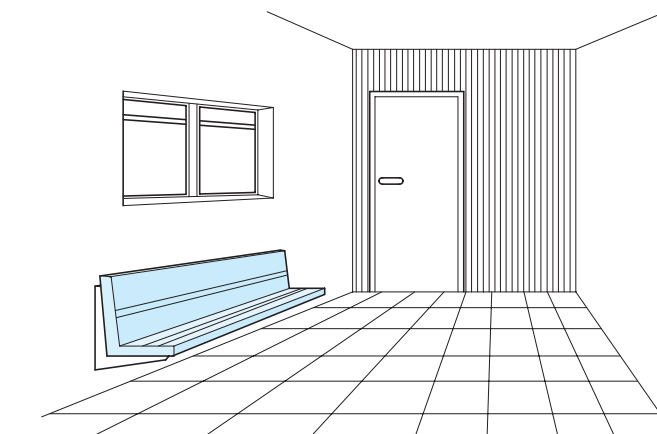


B Hebgo fixed bracket

- Suitable for tables and bench seats
- Load carrying capacity **150 kg** per pair
- Grey primed steel

Dimensions					Cat. No.
A	B	C	D	E	
200 mm	80 mm	46 mm	Ø 7.3 mm	Ø 4.5 mm	287.44.416
240 mm	80 mm	46 mm	Ø 7.3 mm	Ø 4.5 mm	287.44.425
280 mm	100 mm	53 mm	Ø 7.3 mm	Ø 5.5 mm	287.44.434
330 mm	100 mm	53 mm	Ø 7.3 mm	Ø 5.5 mm	287.44.443
380 mm	130 mm	65 mm	Ø 10.0 mm	Ø 5.5 mm	287.44.452
480 mm	130 mm	65 mm	Ø 10.5 mm	Ø 5.5 mm	287.44.461
580 mm	170 mm	82 mm	Ø 10.5 mm	Ø 5.5 mm	287.44.470
680 mm	170 mm	82 mm	Ø 10.5 mm	Ø 5.5 mm	287.44.489

Order qty: 1 pc (1 pc = 1 bracket)



C Hebgo fixed bench bracket

- For direct wall mounting using screws and plugs
- Load carrying capacity **500 kg** per pair
- Bright galvanized steel



- **Punch tool**, supplied with bracket **C**
- Provides for the accurate marking of drilling centres for the backrest
- Detailed mounting instructions are included in every pack

Dim. A	Dim. B	Dim. C	Cat. No.
410 mm	460 mm	48 mm	287.47.971

Order qty: 1 pc (1 pc = 1 bracket)

TCH-FF 2010, HUK. Dimensional data not binding. We reserve the right to alter specifications without notice.