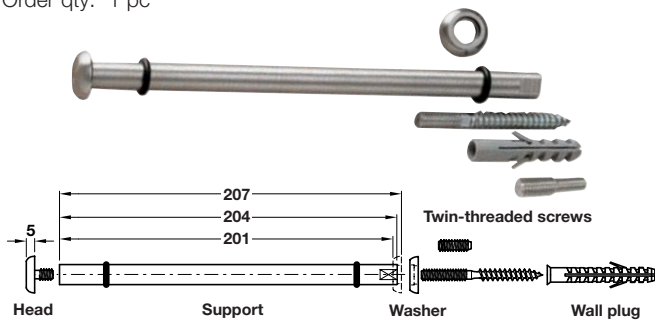


A Shelf support

- For concealed mounting of shelves
- For installation into woodwork or masonry walls
- **With screw mounting plate**
- For **22 mm** shelf thickness
- Fitting comprises: 1x galvanized steel supporting pin with mounting plate
- Supporting pin installed in a $\varnothing 12$ mm hole in the shelf, the pin may be exposed or sealed depending on the thickness of the shelf
- Can be adjusted to the right or left

Finish	Cat. No.
Yellow galvanized	283.33.500

Order qty: 1 pc

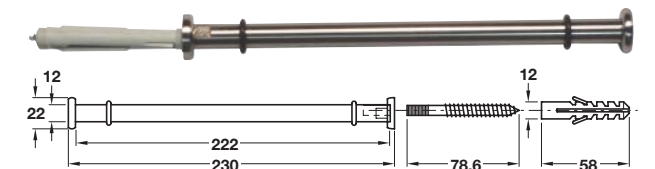


B Shelf support

- For 200 mm deep shelves
- Comprises: 1x $\varnothing 11$ mm support, 1x washer, 1x twin-threaded screw metric/wood; M8 x 80 mm, thread length for wood 35 mm, 1x twin-threaded screw metric/metric; M8 x 25 mm DIN939, 1x wall plug, fitting instructions
- Brushed matt stainless steel support and washer, galvanized steel twin-threaded screw, plastic wall plug

Thread length	Cat. No.
M8 x 80 mm	521.62.001

Order qty: 1 pc

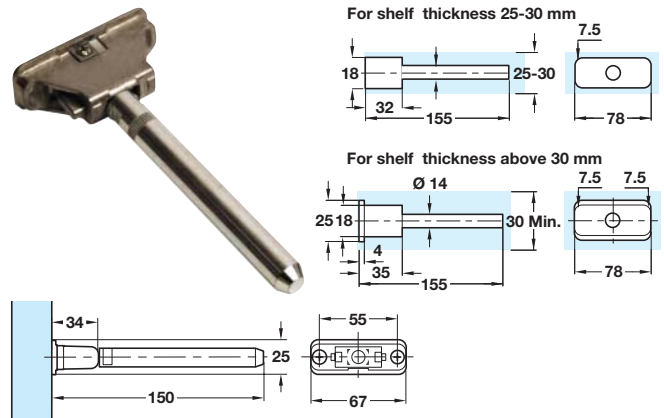


C Shelf support set

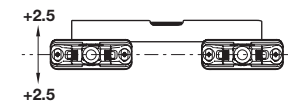
- For installation into masonry wall, fixings included
- Set consists of 2x shelf support rods for **220 mm deep shelf**
- Max. carrying capacity per pair of supports: **10 kg**
- Steel

Finish	Cat. No.
Matt chrome-plated	283.38.430

Order qty: 1 set

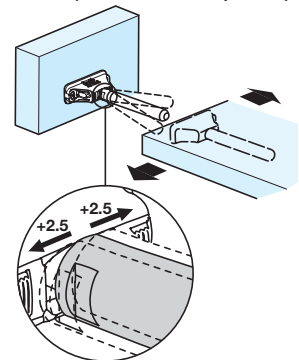
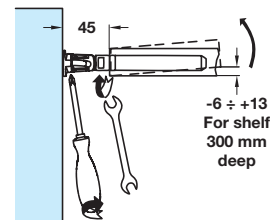


Align brackets vertically accordingly



- Step 1- Tilt the shelf to match both supporting pins and shelf housings
- Step 2- Adjust the shelf horizontally according to the application (i.e. multi-shelf composition)

- Step 1- Turn clockwise the supporting pin with shelf angle front to back accordingly
- Step 2- Screw the locking bolt to block the pin

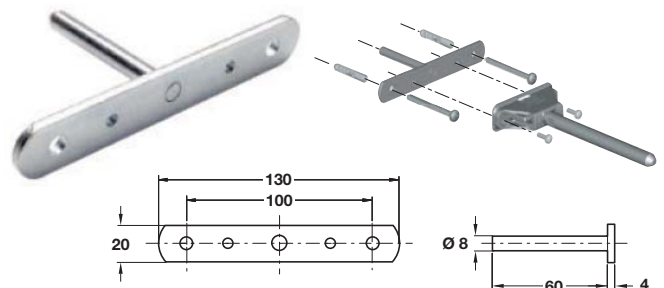


D Triade concealed shelf support

- Concealed mounting
- For **25-40 mm** shelf thickness
- Load carrying capacity: **15 kg** per support (shelf weight included) for max. shelf depth 300 mm
- For min. shelf depth 160 mm
- Fixings not included
- Zinc alloy and steel

	Cat. No.
Triade concealed shelf support	283.39.010

Order qty: 1 pc



E Bracket for Triade shelf support

- For use with Triade shelf support **283.39.010**
- To improve the shelf support capacity loading by evenly distributing the shelf load on the wall through the $\varnothing 8$ mm pin
- Fixings not included. Order pan head screws, M5 x 12 mm **020.24.250** separately
- **Bracket**, nickel-plated zinc alloy
- **Pan head screws**, M5 x 12 mm, nickel-plated zinc alloy

Item	Cat. No.
Bracket	283.39.019
Pan head screw	020.24.250

Order qty: 1 pc