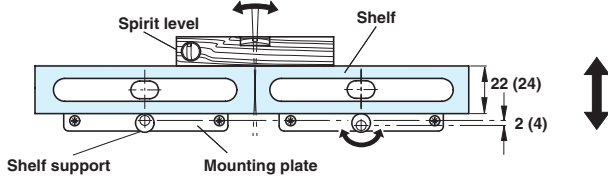
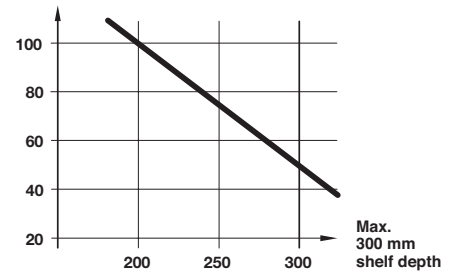


Height and inclination adjustment possible as shown on the right



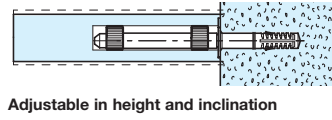
Max. load kg/m<sup>2</sup> (evenly distributed load)



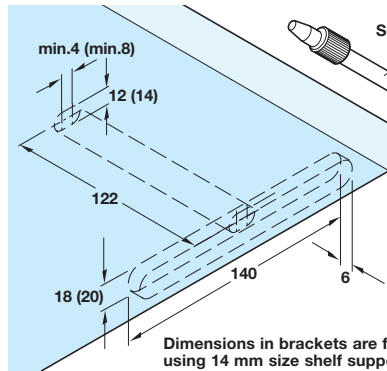
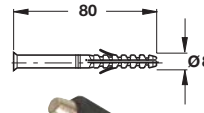
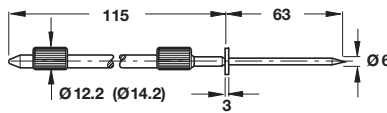
Max. 700 mm distance between shelf supports

### A Shelf support

- For concealed mounting of shelves
- For installation into masonry walls
- **Press fit mounted**
- 12 mm size for 22 mm shelf thickness
- 14 mm size for 24 mm shelf thickness
- Fitting comprises:
  - 1 galvanized steel supporting pin with mounting plate
  - 2 pre-mounted plastic sleeves
  - 1 grey nylon Fischer wall plug, S 8H 80 R
- To insert the shelf support, drill out the board as shown in the drawing right
- Level the shelf by laying on the shelf supports and adjusting the eccentric screw before finally fixing the shelf in position
- Adjustable in height and inclination:
  - 12 mm size:  $\pm 1$  mm
  - 14 mm size:  $\pm 2$  mm



Adjustable in height and inclination



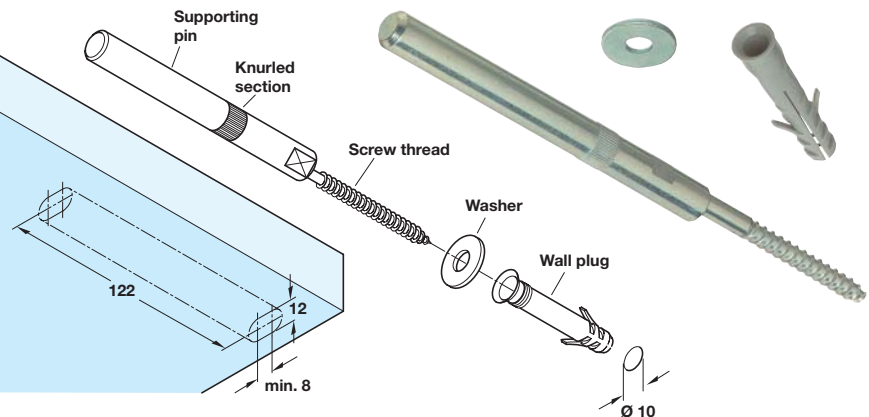
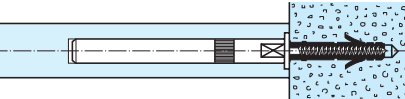
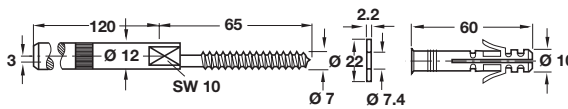
Dimensions in brackets are for shelf thickness 24 mm using 14 mm size shelf support

Size	For shelf thickness	Cat. No.
12 mm	22 mm	283.32.050
14 mm	24 mm	283.32.060

Order qty: 1 set (1 set = 1 support bolt, 1 washer, 1 screw in dowel and 2 eccentric sleeves)

### B Shelf support

- For concealed mounting of shelves
- For installation directly into masonry walls
- Suitable for all domestic applications, especially shelving systems, radiator screens and telephone supports
- **Screw mounted**
- Fitting comprises:
  - 1 hardened steel supporting pin with screw
  - 1 galvanized steel washer
  - 1 nylon wall plug, SR 10 60 mm
- Drill  $\text{Ø } 10$  mm hole and insert wall plug
  - Slip washer (supplied) onto screw thread
  - Screw shelf support into wall plug
  - Install shelf on support as far as the knurled section
  - Use an SW 10 open-ended wrench for vertical adjustment
  - Finally push the shelf all the way to the wall



	Cat. No.
Shelf support	283.30.038

Order qty: 1 set (1 set = 1 pin, 1 washer, 1 washer and 1 wall plug)