

• Ventilation grills

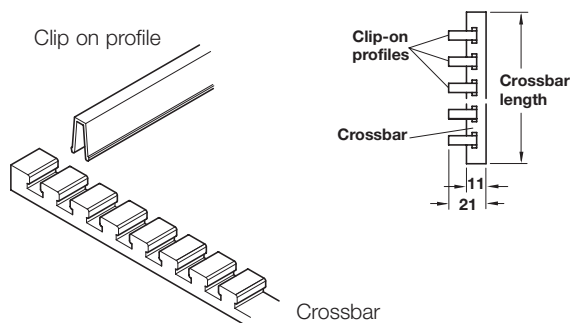
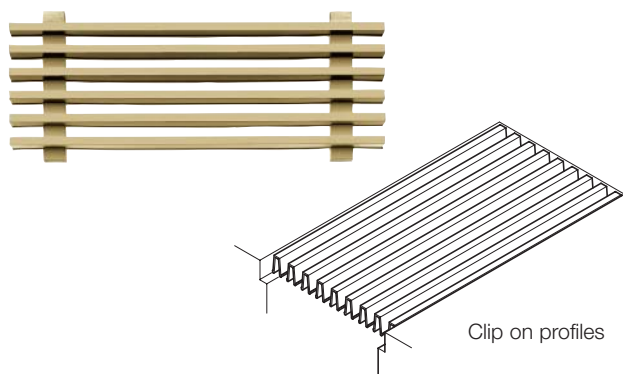
- For floors
- Grills can be assembled from crossbars and clip on profiles for straightforward installation between rebated supports
- For non-rebated installations use Z-profiles and corner connectors. The spring clips ensure secure mounting
- Crossbars and profiles can be cut to size

Quantity of clip-on profiles, determined by length of crossbar

Length of crossbar	70	85	100	115	130	145	160
No. of clip-on profiles	4	5	6	7	8	9	10
Length of crossbar	175	190	205	220	235	250	
No. of clip-on profiles	11	12	13	14	15	16	

Please note: Profiles are priced and sold in metres. Please order in multiples of metre quantity shown.

4 metres = 1 length



Crossbar

- 250 mm long, can be cut to size
- Anodised aluminium

Finish	Cat. No.
Silver EV1	575.11.903
Gold EV3	575.11.805

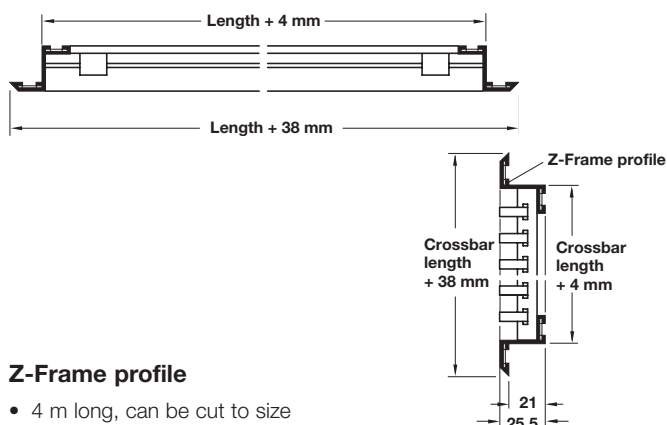
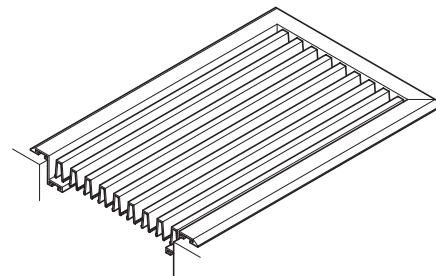
Order qty: Multiples of 10 pcs

Clip on profile

- 4 m long, can be cut to size
- Anodised aluminium

Finish	Cat. No.
Silver EV1	575.10.901
Gold EV1	575.10.801

Order qty: Multiples of 4 m lengths

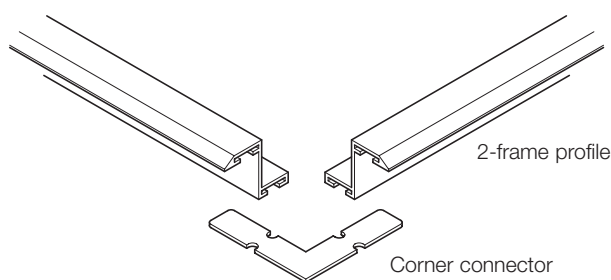


Z-Frame profile

- 4 m long, can be cut to size
- Anodised aluminium

Finish	Cat. No.
Silver EV1	575.12.901

Order qty: Multiples of 4 metres

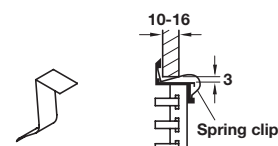


Corner connector

- For Z-frame profile
- Silver anodised aluminium

Finish	Cat. No.
Silver	575.12.080

Order qty: Multiples of 10 pcs



Spring clip

- For fastening Z-frame profile in 10 to 16 mm thick panel
- Stainless steel

Finish	Cat. No.
Stainless steel	575.12.099

Order qty: Multiples of 10 pcs