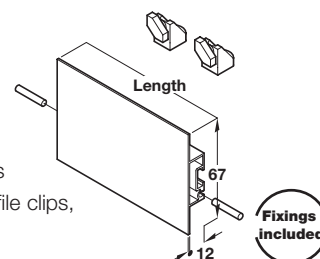


Drawer front profile set

- For 18 mm max. board thickness
- Set consists of 1x profile, 2x profile clips, fixings included
- Stainless steel effect aluminium

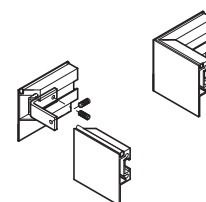


Profile length	Cat. No.
400 mm	126.54.011
500 mm	126.54.012
600 mm	126.54.013
800 mm	126.54.014
900 mm	126.54.015
1000 mm	126.54.016

Order qty: 1 set

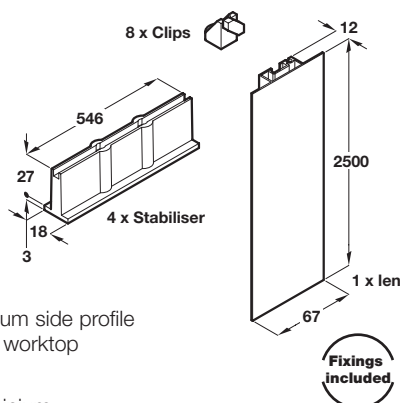
Corner joint

- Choice of two types of corner joint:
- Internal joints slide into profile (must be 45° mitred) and are not visible
- External joints are placed outside the profile and are visible
- Stainless steel effect aluminium



Angle	Internal	External
90°	126.54.070	126.54.080
135°	126.54.071	126.54.081

Order qty: 1 pc



Vertical profile set

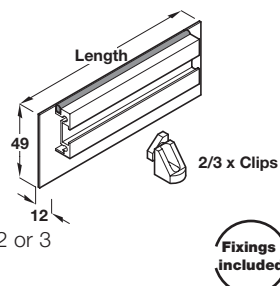
- Set consists of 1x aluminium side profile 2.5 m, 8x profile clips, 4x worktop stabiliser, fixings included
- Stainless steel effect aluminium

Profile length	Cat. No.
2.5 m	126.54.018

Order qty: 1 set

Side profile set

- Set consists of 1x aluminium profile, 2 or 3 profile clips, fixings included
- Stainless steel effect aluminium

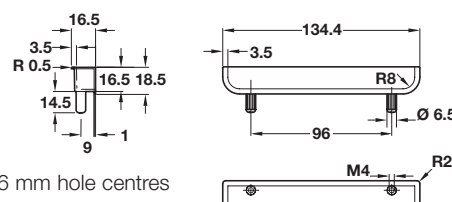


Profile length	Number of clips	Cat. No.
600 mm profile	2	126.54.003
900 mm profile	3	126.54.005

Order qty: 1 set

Handle

- Ø 6.5 mm lugs, 96 mm hole centres
- Zinc alloy



Finish	Cat. No.
Stainless steel effect with polished inner	126.54.090

Order qty: 1 pc