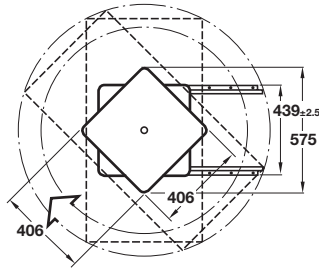




**Single Extension**

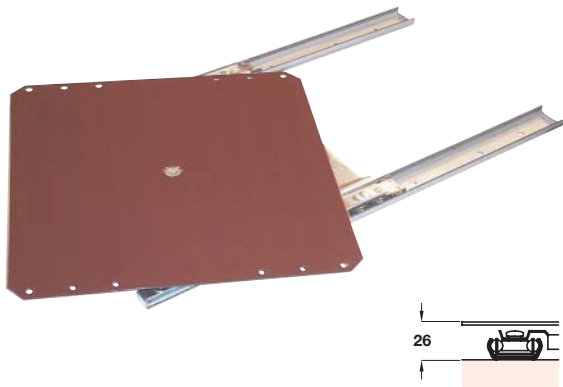
**Accuride CB3620-258TV extending TV turntable**

- Hold-in prevents roll out and bounce back
- Single extension
- **100 kg** carrying capacity
- 360° turntable range
- Shelf thickness minimum 19 mm
- Depth: 62 mm
- Supporting shelf to be custom made
- Fixing materials included
- Ensure all fixing holes are used
- Shelf must be securely fixed to turntable, TV must be securely fixed to shelf
- Black zinc-plated steel



Installation length	Extension length	Cat. No.
394 mm	356 mm	423.91.300

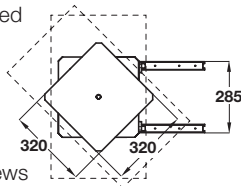
Order qty: 1 pc



**Single Extension**

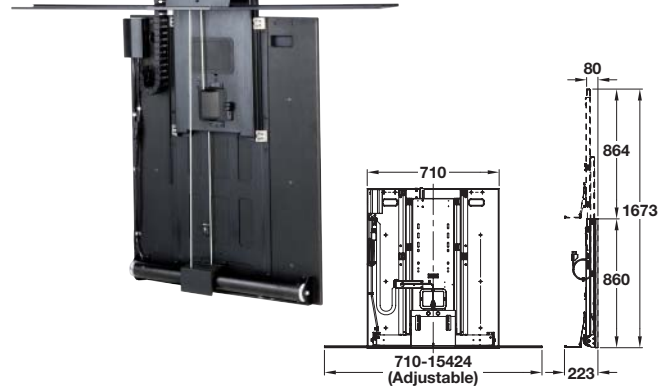
**Extending TV turntable**

- Single extension, precision ball cage guided
- **70 kg** carrying capacity
- 360° turntable range
- Depth: 26 mm
- Supporting shelf to be custom made
- Fasten to cabinet base with Ø 6 mm screws
- Ensure all fixing holes are used
- Shelf must be securely fixed to turntable
- Galvanized steel guides and brown plate



Installation length	Extension length	Cat. No.
377 mm	207 mm	423.99.100

Order qty: 1 pc



**Accuride DB Lift 127, motorised flat panel TV lift**

- Pre-mounted to backboard for easy installation
- Auto-reverse changes direction of movement when the reversal deck encounters an obstruction as the lift lowers
- Maximum weight capacity **54 kg**
- Minimum inside cabinet dimensions: 710 mm width, 864 mm height (overlay), 880 mm height (inset), 254 mm depth
- Maximum TV dimensions: 1270 mm diagonal, 851 mm high
- Hole and slot pattern accommodates a wide variety of TV mounting brackets (bought separately)
- Includes European and UK mains plugs
- Steel
- Final structure must be made stable and safe to carry the load, and when the unit is extended

Finish	Cat. No.
Black	421.68.391

Order qty: 1 pc

**Fixed lid bracket**

- Steel

Finish	Cat. No.
Black	421.68.397

Order qty: 1 pc

**Replacement remote control**

- For use with Accuride TV lift **421.68.391**
- Plastic

Finish	Cat. No.
Black	421.68.398

Order qty: 1 pc

