

**Swivel tray**

- Height x width x depth: 45 x 296 x 137 mm
- For screw mounting under a cabinet, shelf or desk top
- Two adjustable dividers and fixing screws included
- Strong durable plastic

Finish	Cat. No.
Opaque	547.60.700

Order qty: 1 pc



**Lockable bathroom medicine cabinet**

- Height x width x depth: 243 x 259 x 182 mm
- Free standing or can be mounted within a cupboard
- White with green cross logo
- Plastic

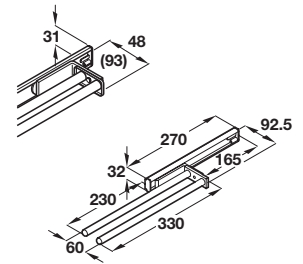
Finish	Cat. No.
White	543.44.713

Order qty: 1 pc



**Towel rail, 2 arm**

- Can be swivelled by 90°
- Length 330 mm
- Installed length 340 mm
- Extension length 160 mm
- For lateral or top screw fixing
- Fixings included
- Aluminium runner and rails, plastic running gear



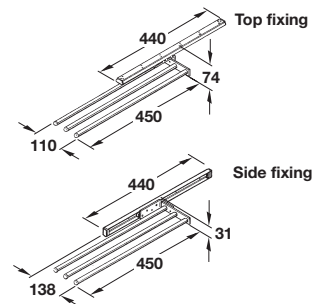
Finish	Cat. No.
Polished chrome	510.51.224
Silver coloured anodized	510.51.924

Order qty: 1 pc



**Towel rail, 3 arm**

- Can be swivelled by 90°
- Installed length 465 mm
- Extension length 305 mm
- For lateral or top screw fixing
- Fixings included
- Aluminium, with plastic end caps



Finish	Cat. No.
Silver coloured anodized	510.50.935

Order qty: 1 pc

TCH-FF 2010, HUK. Dimensional data not binding. We reserve the right to alter specifications without notice.