

Wardrobe rail set

- Set consists of:
1x Polished chrome-plated steel wardrobe rail, 30 x 15 x 0.7 mm
2x Nickel-plated steel end supports
4x Hospa screws, countersunk head, Ø 3.5 x 13 mm

Rail length	Cat. No.
450 mm for single wardrobe	
414 mm	801.19.230
900 mm for double wardrobe	
864 mm	801.19.231

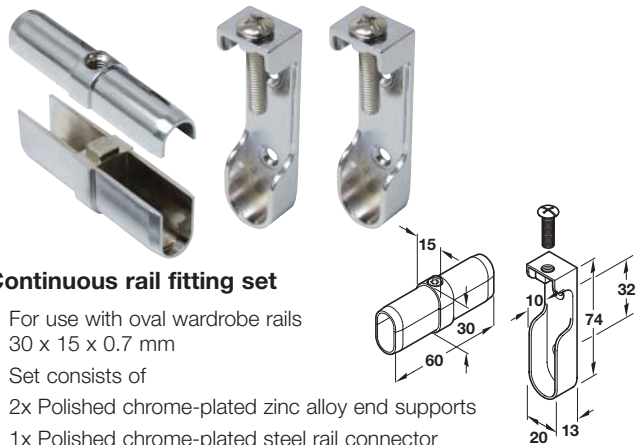
Order qty: 1 set

Large wardrobe rail set

- Set consists of:
1x Polished chrome-plated steel wardrobe rail, 30 x 15 x 0.7 mm
2x Polished chrome-plated zinc alloy end supports
2x Polished chrome-plated zinc alloy rail supports
4x Hospa screws, Ø 3.5 x 13 mm

Rail length	Cat. No.
1800 mm	801.19.232

Order qty: 1 set



Continuous rail fitting set

- For use with oval wardrobe rails 30 x 15 x 0.7 mm
- Set consists of
2x Polished chrome-plated zinc alloy end supports
1x Polished chrome-plated steel rail connector

Finish	Cat. No.
Polished chrome-plated	803.32.261

Order qty: 1 set

TCH-FF 2010, HUK. Dimensional data not binding. We reserve the right to alter specifications without notice.