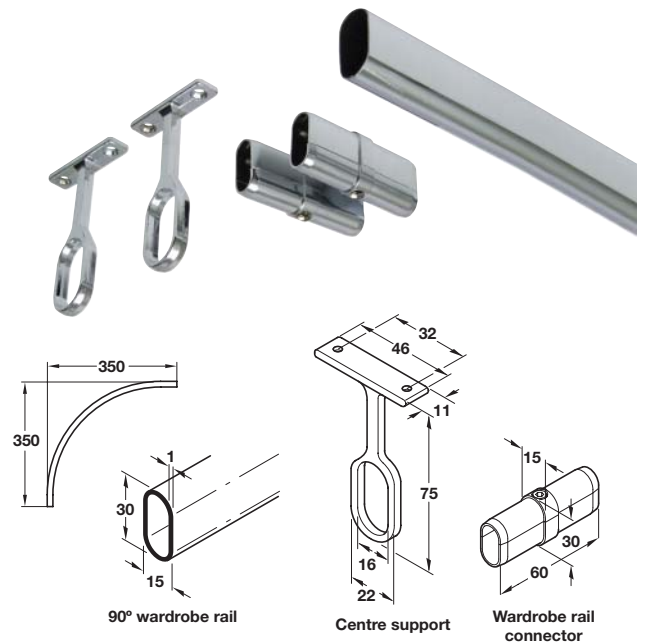


Wardrobe rail corner set

- Consists of:
 - 1x Polished chrome-plated steel 90° wardrobe rail, 30 x 15 x 1.0 mm, 825 x 825 mm
 - 2x Nickel-plated steel end supports
 - 2x Polished chrome-plated zinc alloy centre supports, height adjustable
 - 4x each Hospa screws, Ø 3.5 x 15 mm, Ø 4.0 x 15 mm

Finish	Cat. No.
Polished chrome-plated/Nickel-plated	801.19.200

Order qty: 1 set



Rail corner set for connecting to straight rails

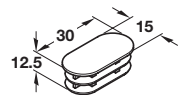
- Set consists of:
 - 1x Polished chrome-plated steel 90° wardrobe rail, 30 x 15 x 1.0 mm, 350 x 350 mm
 - 2x Polished chrome-plated steel centre supports
 - 2x Polished chrome-plated steel wardrobe rail connectors
 - 4x Hospa screws, Ø 3.5 x 13 mm
- For compatible straight rails see items: **801.19.204** - page **36**
801.19.230/231/232 - page **40**

Finish	Cat. No.
Polished chrome-plated	801.19.201

Order qty: 1 set

End cap, push fit

- For use with 30 x 15 mm wardrobe rails 0.7 and 1 mm wall thickness
- Black plastic insert, polished chrome-plated cap



Finish	Cat. No.
Polished chrome-plated	802.05.291

Order qty: 1 pair

TCH-FF 2010, HUK. Dimensional data not binding. We reserve the right to alter specifications without notice.