



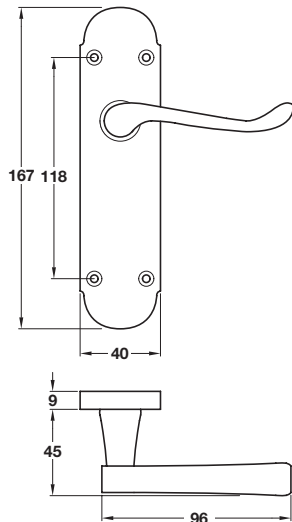
Latch version



Standard keyway version



Bathroom version



A Lever on plate

- Pair of lever handles on backplate
- Sprung, for use with standard duty followers
- To suit doors 35-45 mm
- **For internal use only**
- Standard keyway version 57 mm lock centres
- Bathroom version 57 mm lock centres. 5 mm square spindle included
- 8 mm spindle and fixings included
- Zinc alloy

Finish	Latch	Standard keyway	Bathroom
Polished chrome	901.99.990	901.99.992	901.99.994
Satin chrome	901.99.991	901.99.993	901.99.995

Order qty: 1 pair



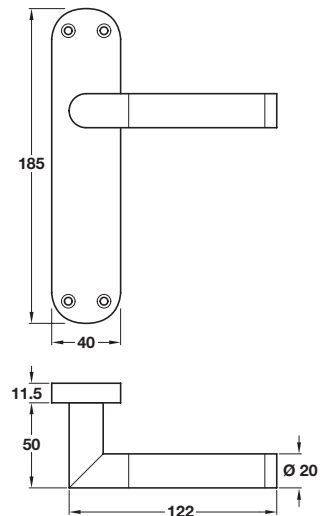
Latch version



Standard keyway version



Bathroom version



B Mitred lever on plate

- Pair of lever handles on backplate
- Sprung, for use with standard duty followers
- To suit doors up to 44 mm thick
- Standard keyway version 57 mm lock centres
- Bathroom version 57 mm lock centres. 5 mm square spindle included
- 8 mm spindle and fixings included
- Brass

Finish	Latch	Standard keyway	Bathroom
Polished chrome/ satin chrome	901.99.872	901.99.880	901.99.909

Order qty: 1 pair