

Fixing Materials

Cabinet Assembly, Hospa-Jet, T-star, Zip R Screws

• Please order screws in multiples of order quantity shown

Hospa thread Ø	Drive required
3.0 mm	PZ1
3.5 - 5.0 mm	PZ2



A Hospa screw, countersunk head

- Fully threaded
- With PZ cross slot head
- For use with PZ bits, see table above
- Stainless steel

Item A.
Item added

Øx Length	Cat. No.	Order Qty
3.0x 16 mm	014.70.542	500
3.0x 20 mm	014.70.551	500
3.5x 16 mm	014.70.631	1000
3.5x 20 mm	014.70.659	500
3.5x 25 mm	014.70.677	500
3.5x 30 mm	014.70.686	500
4.0x 25 mm	014.70.855	500
4.0x 30 mm	014.70.864	500
4.0x 35 mm	014.70.873	500
4.5x 50 mm	014.70.962	200
4.5x 60 mm	014.70.964	200
4.5x 70 mm	014.70.966	200
5.0x 35 mm	014.71.101	200
5.0x 50 mm	014.71.139	200
5.0x 60 mm	014.71.148	100
5.0x 70 mm	014.71.156	100
5.0x 80 mm	014.71.165	100



B Zip R square slot screw

- High quality countersunk screws for timber applications
- With extra deep thread and case hardened body
- Partially threaded (*fully threaded)
- For use with size 2 square drive bit, refer to page 59
- Black oxide steel

Øx Length	Cat. No.	Order Qty
3.5x 12 mm*	010.72.041	500
3.5x 25 mm*	010.72.046	500
3.5x 32 mm	010.72.048	500
3.5x 40 mm	010.72.049	500
3.5x 50 mm	010.72.051	500
4.0x 25 mm*	010.72.066	500
4.0x 32 mm	010.22.068	500
4.0x 38 mm	010.22.069	500
4.0x 50 mm	010.22.071	500
4.0x 65 mm	010.22.074	500
4.0x 75 mm	010.22.076	100

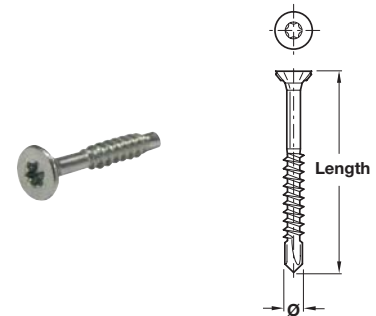


C Hospa-Jet screw

- Multi-purpose screw
- Partially threaded. Special high/low thread increases the speed of insertion
- Countersunk with T star head
- For use with TS bits, see table right
- Galvanized steel

Øx Length	Cat. No.	Order Qty
3.0x 25 mm	017.91.219	1000
3.0x 30 mm	017.91.221	1000
3.0x 35 mm	017.91.223	1000
3.0x 40 mm	017.91.224	500
3.5x 20 mm	017.91.246	1000
3.5x 30 mm	017.91.251	1000
3.5x 35 mm	017.91.253	1000
3.5x 40 mm	017.91.254	500
3.5x 45 mm	017.91.255	500
3.5x 50 mm	017.91.256	500
4.0x 25 mm	017.91.279	1000
4.0x 30 mm	017.91.281	1000
4.0x 35 mm	017.91.283	500
4.0x 40 mm	017.91.284	500
4.0x 45 mm	017.91.285	500
4.0x 50 mm	017.91.286	500
4.0x 55 mm	017.91.287	200
4.0x 60 mm	017.91.288	200
4.0x 70 mm	017.91.290	200
4.5x 35 mm	017.91.313	500
4.5x 40 mm	017.91.314	500
4.5x 45 mm	017.91.315	500
4.5x 50 mm	017.91.316	200
4.5x 55 mm	017.91.317	200
4.5x 60 mm	017.91.318	200
4.5x 70 mm	017.91.320	200
4.5x 80 mm	017.91.321	200
5.0x 35 mm	017.91.343	500
5.0x 40 mm	017.91.344	500
5.0x 45 mm	017.91.345	200
5.0x 50 mm	017.91.346	200
5.0x 55 mm	017.91.347	200
5.0x 60 mm	017.91.348	200
5.0x 70 mm	017.91.350	200
5.0x 80 mm	017.91.351	100
5.0x 90 mm	017.91.352	100
5.0x 100 mm	017.91.353	100
5.0x 120 mm	017.91.355	100
6.0x 50 mm	017.91.376	200
6.0x 60 mm	017.91.378	200
6.0x 70 mm	017.91.380	100
6.0x 80 mm	017.91.381	100
6.0x 90 mm	017.91.382	100
6.0x 100 mm	017.91.383	100
6.0x 120 mm	017.91.385	100
6.0x 130 mm	017.91.386	100
6.0x 150 mm	017.91.388	100
6.0x 180 mm	017.91.391	100

Hospa Jet thread Ø	Drive required
3.0 mm	TS15
3.5 mm	TS20
4.0 mm	TS20
4.5 mm	TS20
5.0 mm	TS20
6.0 mm	TS30



D T-star drilling screw

- Countersunk head with routed ribs
- Torque: Internal cross IS
- Partially threaded screw with drill in tip
- Screw can be inserted without pre-drilling the panel
- For use with TS20 bit, refer to pages 59-60
- Galvanized hardened steel

Øx Length	Cat. No.	Order Qty
4.0x 25 mm	019.01.900	1000
4.0x 30 mm	019.01.901	1000
4.0x 35 mm	019.01.902	1000
4.0x 40 mm	019.01.903	500
4.0x 45 mm	019.01.904	500
4.0x 50 mm	019.01.905	500
4.0x 60 mm	019.01.907	500
4.5x 50 mm	019.01.923	500



E Carcase assembly screw

- Funnel head, hi-lo thread
- Black steel

Ø x Length	Cat. No.	Order Qty
4.0x 33 mm	015.45.301	1000
4.0x 45 mm	015.45.302	1000