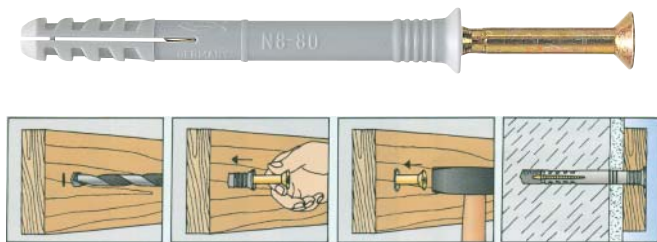


• Please order screws in multiples of order quantity shown



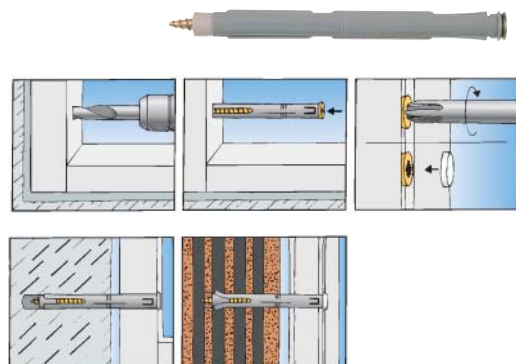
A Fischer Hammerfix N Z with zinc-plated drive screw

- **Suitable for:** Concrete, solid bricks, perforated bricks, hollow blocks, and aerated concrete (aircrete)
- **For fixing of:** Timber battens, frames, roof edge, wall connection or plaster profiles, skirting boards, wall angles, cable ducts, cable and pipe clips, sheets, etc.
- Pre-assembled

Type	Drill Ø (mm)	Min. hole depth (mm)	Plug length (mm)	Screw size (mm)	Cat. No.
N6 x 60 Z	6	75 mm	60	4 x 64	051.41.015
N8 x 80 Z	8	95 mm	80	5 x 85	051.41.024
N8 x 100 Z	8	115 mm	100	5 x 105	051.41.033
N8 x 120 Z	8	135 mm	120	5 x 125	051.41.040

Order qty: Multiples of 50 pcs

Item A.
 Catalogue shows 4 x 48 mm,
 and 7 x 110 mm
 Correct dimension is 4 x 46 mm,
 and 5 x 105 mm



B Fischer window fixing TL

- With zinc-plated wood screw for pozi bit size 2 or 3
- Includes white caps
- Pre-assembled

Type	Drill Ø (mm)	Min. hole depth (mm)	Max. frame thickness (mm)	Screw size (mm)	Cat. No.
TL PVCu FIX 8x100	8	115 mm	50 mm	8 x 100	051.76.001
TL PVCu FIX 8x120	8	135 mm	70 mm	8 x 120	051.76.002
TL PVCu FIX 10x100	10	115 mm	40 mm	10 x 100	051.76.005
TL PVCu FIX 10x120	10	135 mm	60 mm	10 x 120	051.76.006

Order qty: Multiples of 50 pcs

- **Screwdriver bits** are shown on pages 59-60



C Packing shim

- Fixing items to uneven surfaces can be difficult due to gaps beneath the fixing points. A simple and cost effective solution is provided by using plastic shims of varying thickness to fill the gap and provide a secure fixing
- Typical applications are window and door frame fixing, cladding supports and dry lining
- Plastic
- Packs contain light duty (45 x 40 mm) and heavy duty (100 x 50 mm) shims

Individual shim		Light duty	Heavy duty
Finish	Thickness	40 x 45 mm	100 x 50 mm
Yellow	1 mm	006.90.970	006.90.980
White	1.5 mm	006.90.971	006.90.981
Green	2 mm	006.90.972	006.90.982
Blue	3 mm	006.90.973	006.90.983
Red	4 mm	006.90.974	006.90.984
Brown	5 mm	006.90.975	006.90.985
Black	6 mm	006.90.976	006.90.986
Grey	10 mm	006.90.977	006.90.987

Order qty: Multiples of 250 pcs

Pack of shims	Small pack	Large pack
Shims included	No. of shims	No. of shims
1 mm light duty/heavy duty	20/10	40/20
3 mm light duty/heavy duty	20/10	40/20
5 mm light duty/heavy duty	20/10	40/20
10 mm light duty/heavy duty	10/-	20/10
Cat. No.	006.90.960	006.90.961

Order qty: 1 set

TCH-FF 2010, HUK. Dimensional data not binding. We reserve the right to alter specifications without notice.