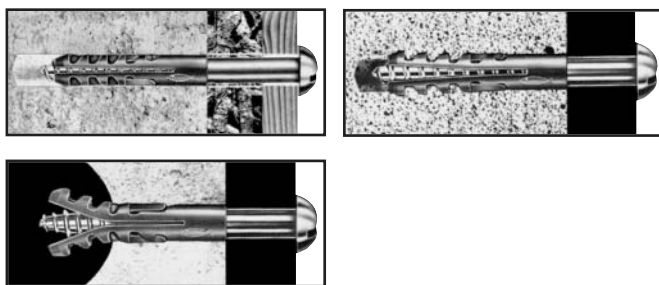


A Wall plug

- Plastic

Colour	Ø x Length	To suit screw size	Cat. No.
Blue	10 x 45 mm	4.5 - 6.0 mm	051.12.804
Brown	7 x 40 mm	4.0 - 6.0 mm	051.12.103
Red	6 x 32 mm	3.5 - 5.0 mm	051.12.902
Yellow	5 x 23 mm	3.0 - 4.5 mm	051.12.601

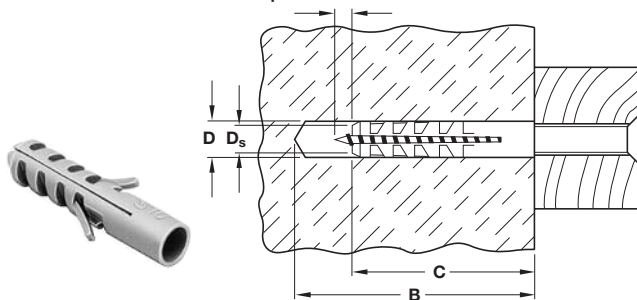
Order qty: Multiples of 100 pcs



Calculation of the minimum screw length

- 1 x screw Ø
 - + plug length (see table)
 - + plaster and/or insulating material thickness
 - + thickness of article being mounted
-
- = minimum screw length

Important: min. 1 x screw Ø

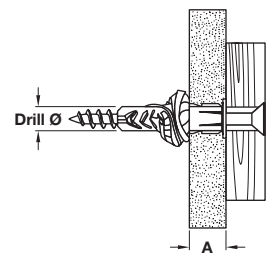


B Fischer S wall plug

- Grey nylon wall plug, for wood or chipboard screws
- Suitable for: All concrete and wall building materials, from perforated bricks to gas concrete and lightweight construction panels
- High tensile and compression strength at temperatures from -40°C to +80°C
- The locking lugs prevent turning in the drilled hole

Type	Dim. D Drill Ø	Dim. B Min. hole depth	Dim. C Length	Dim. Ds To suit wood and Hospa screw size	Cat. No.
S5	5 mm	35 mm	25 mm	Ø 3 - 4 mm	051.40.009
S6	6 mm	40 mm	30 mm	Ø 4 - 5 mm	051.40.018
S8	8 mm	55 mm	40 mm	Ø 4.5 - 6 mm	051.40.027
S10	10 mm	70 mm	50 mm	Ø 6 - 8 mm	051.40.036
S12	12 mm	80 mm	60 mm	Ø 8 - 10 mm	051.40.045

Order qty: Multiples of 100 pcs



C Fischer UX universal wall plug

- High quality polyamide (nylon), resistant to weathering aging, corrosion and rotting
- Suitable for concrete, solid masonry, perforated stones, gas concrete, lightweight wallboards, plasterboard
- Can be used with all kinds of screws; chipboard screws, wood screws and wood-to-metal threaded screws
- With flexible point, suitable for different screw diameters
- For screw sizes:
 - Ø 4-5 (Ø 6 drill)
 - Ø 4.5-6 (Ø 8 drill)
 - Ø 6-8 (Ø 10 drill)
 - Ø 8-10 (Ø 12 drill)
 - Ø 10-12 (Ø 14 drill)

Length	Drill Ø	Drill depth (min)	Dim. A Board thickness (min)	Cat. No.	Order Qty
35 mm	6 mm	45 mm	9.5 mm	051.70.001	100
50 mm	8 mm	60 mm	9.5 mm	051.70.002	100
60 mm	10 mm	75 mm	12.5 mm	051.70.003	50
70 mm	12 mm	85 mm	-	051.70.004	25
75 mm	14 mm	95 mm	-	051.70.005	20

essentials



Fixing Materials, Tools and Consumables found in this section are also shown in the **Häfele Essentials catalogue**.

The Essentials catalogue provides the best possible options for any project, whether small or large, repair or new build. Products are selected from our comprehensive range of furniture fittings and architectural ironmongery or sourced especially for the Essentials catalogue. The catalogue is regularly updated to include all the latest products.

For further information please visit www.hafele.co.uk or contact us.