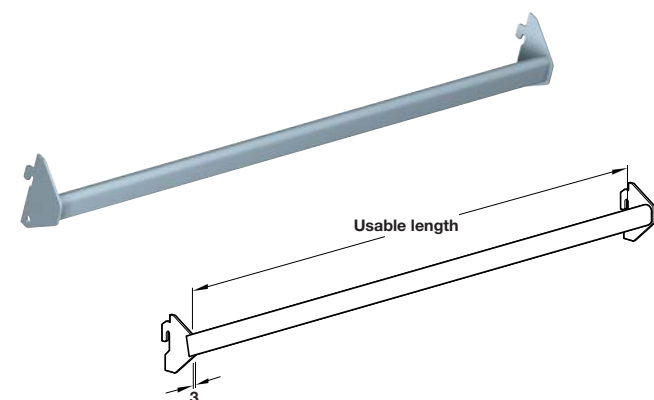


A Carrier frame

- Flat oval rail 15 x 30 mm
- Chrome plated steel

Usable length	Centres	Cat. No.
621 mm	625 mm	772.50.206
996 mm	1000 mm	772.50.210

Order qty: 1 pc

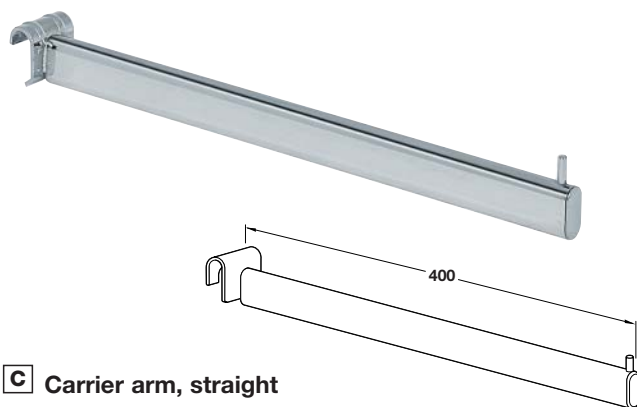


B Support rail

- Flat oval rail 15 x 30 mm
- Chrome plated steel

Usable length	Centres	Cat. No.
621 mm	625 mm	772.51.262
996 mm	1000 mm	772.51.264

Order qty: 1 pc

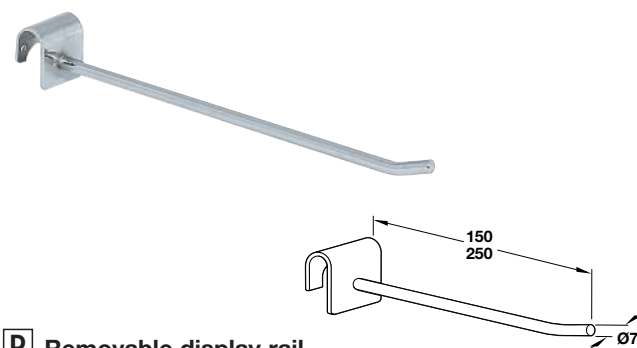


C Carrier arm, straight

- For hanging onto the support rail or carrier frame
- Steel

Finish	Cat. No.
Chrome plated	772.54.241

Order qty: 1 pc

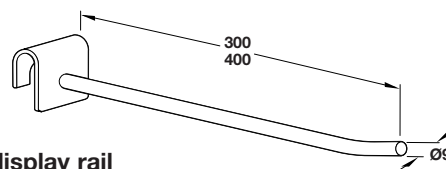


D Removable display rail

- For hanging onto support rail or carrier frame
- Chrome plated steel

Length	Cat. No.
150 mm	772.52.215
250 mm	772.52.225

Order qty: 1 pc



E Removable display rail

- For hanging onto support rail or carrier frame
- Chrome plated steel

Length	Cat. No.
300 mm	772.52.230
400 mm	772.52.240

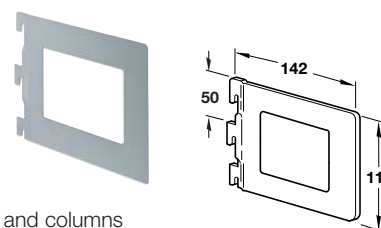
Order qty: 1 pc

F Book bracket

- For use as a book end
- For hanging on channels and columns
- Plastic coated steel

Finish	Silver coloured (RAL 9006)
Cat. No.	770.81.040

Order qty: 1 set (4 pcs)



TCH-FF 2010, HUK. Dimensional data not binding. We reserve the right to alter specifications without notice.