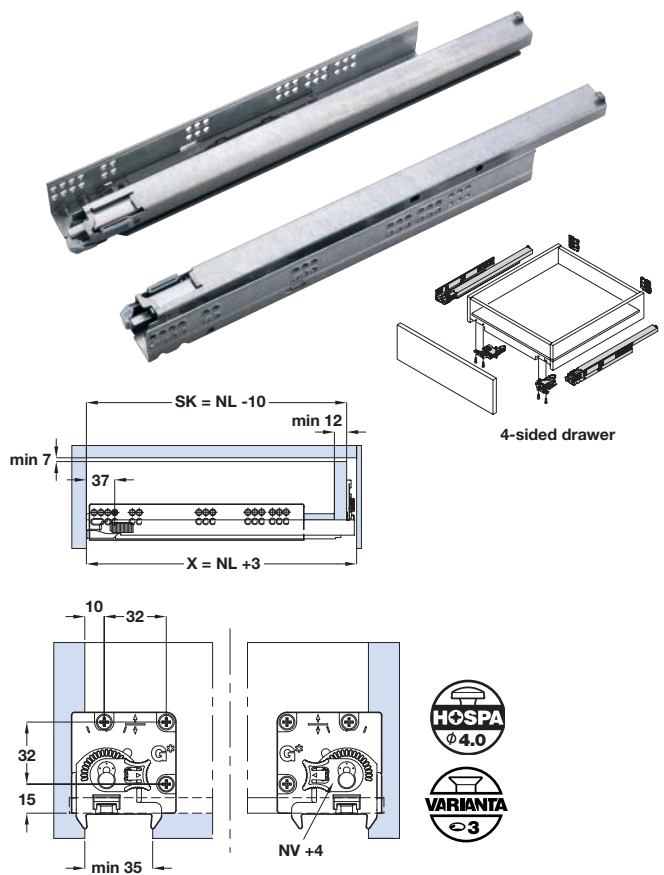


Solid beech drawer

- Sides have rounded shape
- Depth 440 mm
- Bases are in beech plywood 5 mm natural atossic finish
- Sides, fronts and backs are in 16 mm solid beech with natural atossic finish
- Drawers are drilled to suit Dynapro runners shown opposite or Dynamic runners shown in **Section 6**, pages **152-156**

For cabinet width	Drawer width	Height of drawer sides	
		100 mm	140 mm
300 mm	254 mm	557.39.413	-
400 mm	354 mm	557.39.422	557.39.628
450 mm	404 mm	557.39.431	-
500 mm	454 mm	557.39.450	557.39.646
600 mm	554 mm	557.39.459	-
800 mm	754 mm	-	557.39.664
1000 mm	954 mm	-	557.39.673

Order qty: 1 pc



Concealed Dynapro drawer runners, full extension

- Slide-on mounting
- **40 kg** carrying capacity
- With integrated Soft-close®
- Continuous self locking of drawer when pushed onto the drawer
- Integrated height adjustment +3.5 mm without tools
- Adjustment adaptor for side adjustment ±1.5 mm, and tilt adjustment +4 mm without tools
- 32 mm drilling pattern
- Zinc-plated steel

Length (NL)	Drawer length (SK)	Min. inst. depth	Cat. No.
450 mm	440 mm	453 mm	433.19.745

Order qty: 1 pair

Front fixing clips

- Zinc-plated steel

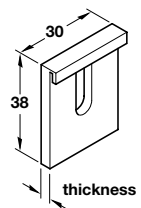


	Cat. No.
Lock and adapter	433.19.040

Order qty: 1 set

Spacer

- Spacers available for different side wall thicknesses
- White plastic



Thickness	1 mm	3 mm
Cat. No.	558.73.017	558.73.035

Order qty: 1 pc

TCH-FF 2010, HUK. Dimensional data not binding. We reserve the right to alter specifications without notice.