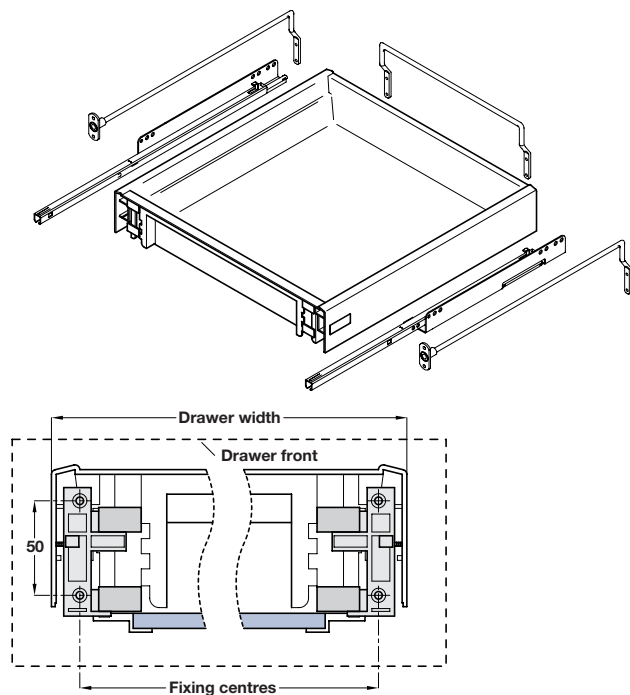




Moulded plastic drawer system

Order plastic module drawer separately, shown below
 Order Dynamic runners and fixing component set separately, shown on page 68
 Order gallery railing separately, if required, shown on page 68



Moulded plastic drawer

- Basic drawer in five sizes, 430 mm drawer depth
- Designed to accept an 8 mm chipboard base if required
- Order Dynamic runners and fixing component set separately
- Optional gallery railing also available
- White plastic

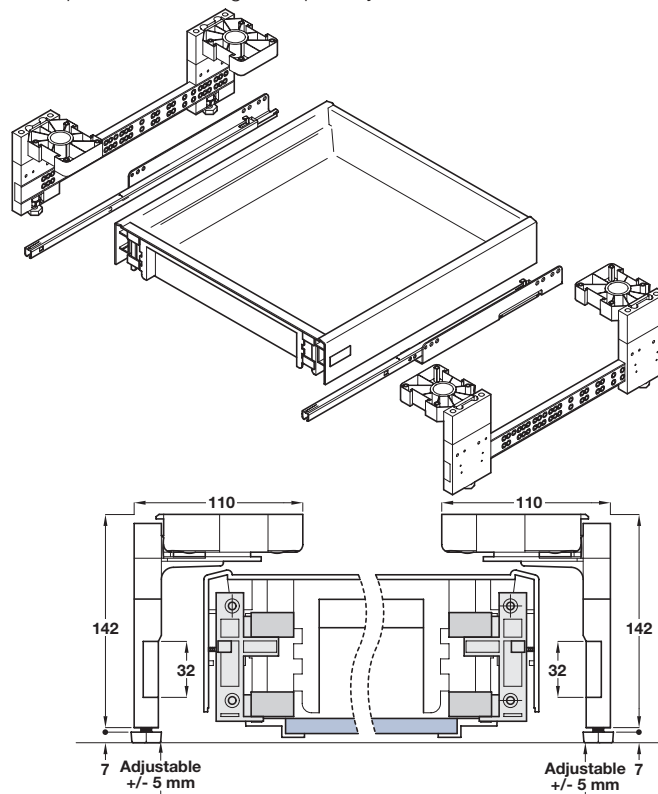
For cabinet width	Drawer width	Fixing centres	Cat. No.
300 mm	249 mm	218 mm	558.60.716
400 mm	349 mm	318 mm	558.60.725
450 mm	399 mm	368 mm	558.60.734
500 mm	449 mm	418 mm	558.60.743
600 mm	549 mm	518 mm	558.60.761

Order qty: 1 pc



Moulded plastic plinth drawer system

Order 430 mm depth plastic module drawer separately, choose width as required, shown below left.
 Order Dynamic runners and fixing component set separately, shown on page 68
 Order plinth drawer fitting set separately, shown below



Plinth drawer fitting set

- Comprises
 - 1x Pair sides for mounting runners
 - 4x Cabinet glides
 - 4x 2 mm spacers for 18 mm board thickness are pre-fitted, remove for 16 mm board thickness
- Black plastic

	Cat. No.
Plinth drawer fitting set	423.05.343

Order qty: 1 set

TCH-FF 2010, HUK. Dimensional data not binding. We reserve the right to alter specifications without notice.