



Three-quarter circle carousel set

- Shelves swivel independently
- Shelf height: 46 mm
- Carrying capacity 15 kg per shelf
- Spindle fitted to the cabinet at the top and base, vertically adjustable from 634-715 mm
- For cabinet size **800 x 800 mm**:
Top carousel Ø 690 mm and bottom carousel Ø 705 mm
- For cabinet size **900 x 900 mm**:
Top carousel Ø 805 mm and bottom carousel Ø 823 mm
- Set includes 2x three-quarter circle chrome-plated steel carousel shelves, upper and lower bearings, spindle and mounting fittings
- Bright zinc-plated steel spindle with zinc galvanized steel vertical adjustment bearing and grey/black plastic bearings

For cabinet size	800 x 800 mm	900 x 900 mm
Cat. No.	541.06.270	541.06.282

Order qty: 1 set

Text removed "Set includes 2x quarter circle chrome plated steel carousel shelves"

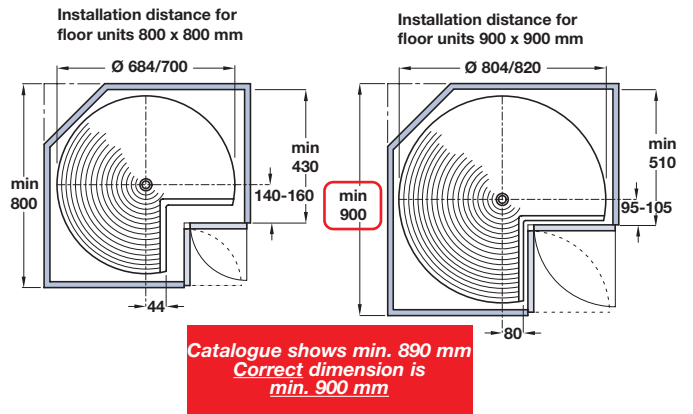


Quarter carousel set

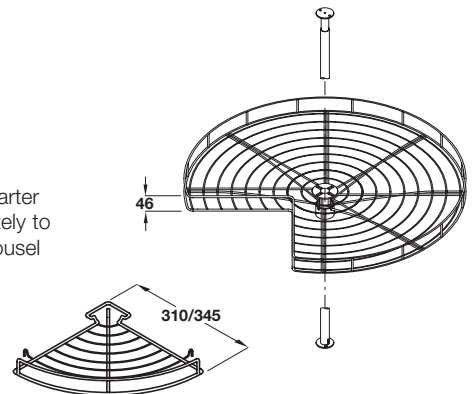
- Use with three-quarter carousel set shown above to create full circle carousel

For cabinet size	800 x 800 mm	900 x 900 mm
Cat. No.	541.06.200	541.06.201

Order qty: 1 pc



Order three-quarter carousel set and quarter carousel set separately to create full circle carousel



TCH-FF 2010, HUK. Dimensional data not binding. We reserve the right to alter specifications without notice.