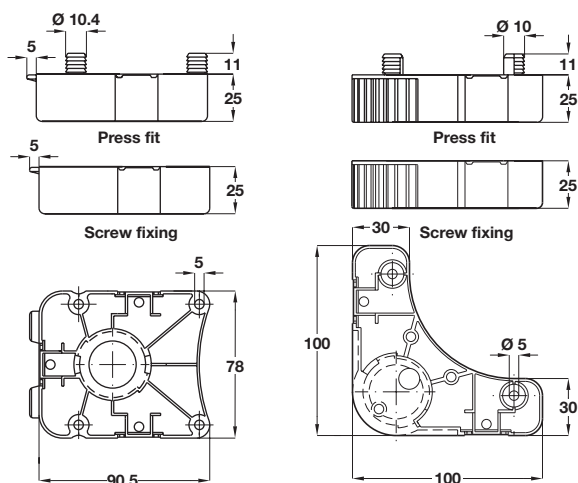
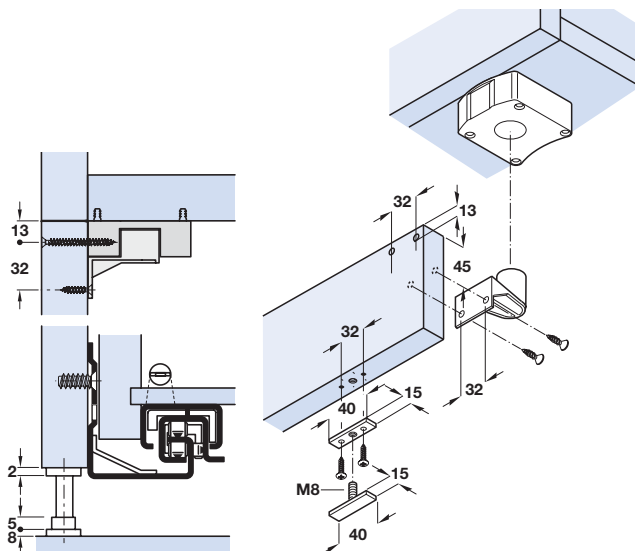


Photographs show press fitting versions



TCH-FF 2010, HUK. Dimensional data not binding. We reserve the right to alter specifications without notice.

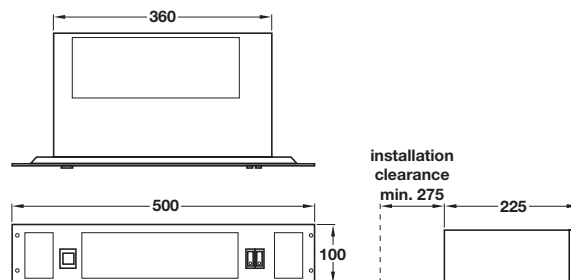


Plinth adjusting fitting for extending cabinet side panel

- For plinth drawer installation
- Four versions of top section available:
For screw fixing or press fitting and rectangular or triangular shaped
- Set comprises: 4x top sections, 4x side panel adaptors, 4x M8 height adjusters with mounting plates
- 28 mm height adjustment
- Black plastic top section, side panel adaptor and adjusting foot, steel counterplate, steel M8 bolt

Top section	Screw fixing	Press fit
Rectangular	637.81.305	637.81.307
Triangular	637.81.306	637.81.308

Order qty: 1 pc



Plinth heater

- For minimum plinth height 100 mm
- 2kW model
- With variable heat settings and fan only setting for air circulation in warm weather
- Kick switch for turning on or off
- Automatic safety cut-out
- Fitted with 2.2 m mains lead, bare ended

Finish	Cat. No.
Stainless steel	565.29.000

Order qty: 1 pc