

Plinth Fittings

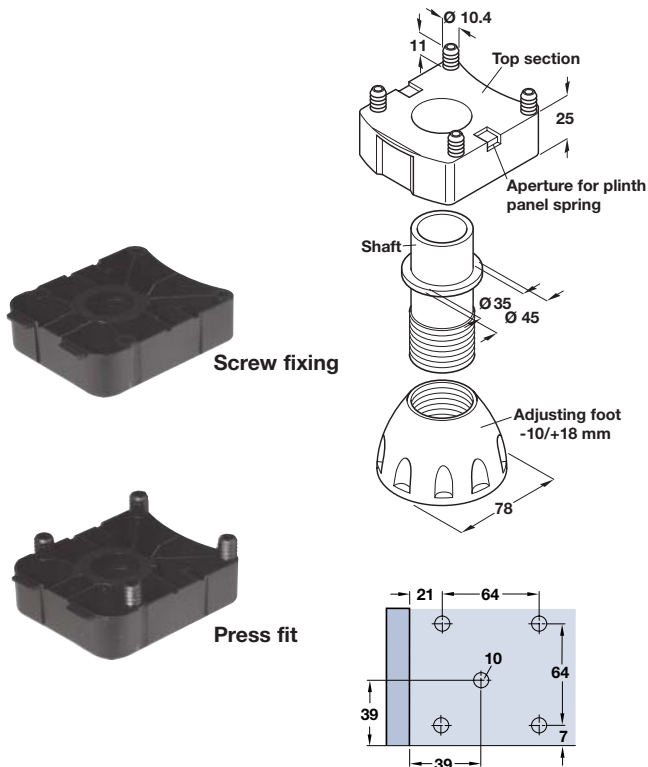
Adjustable Plinth Feet

1

Kitchen Fittings and Accessories

Bayonet (tool-less) connection of the shaft into top section prevents shaft from coming out of the top section when tilted, especially on high cabinets

Foot can be adjusted without special tools, even under load



Screw fixing



Press fit

Plinth foot top section

- Screw fixing or press fit
- Black plastic

Fixing	Screw fixing	Press fit
Cat. No.	637.81.301	637.81.302

Order qty: Multiples of 10 pcs

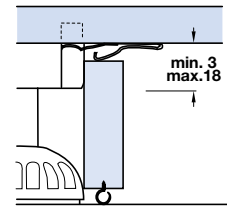
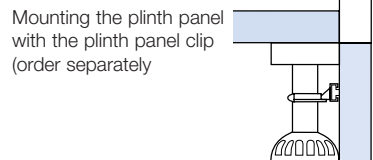
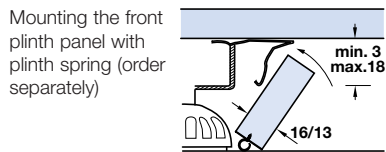


Plinth shaft with base

- Shaft screws into base
- Black plastic

For plinth height	Cat. No.
80 mm	637.81.371
100 mm	637.81.372
120 mm	637.81.373
150 mm	637.81.375
200 mm	637.81.377

Order qty: Multiples of 10 pcs



Parallel assembly of the plinth or glued plinth corners

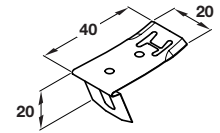


Plinth panel spring

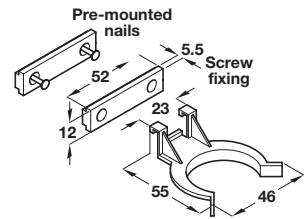
- For front plinth
- Slides into the top section
- Stainless steel

Finish	Cat. No.
Stainless steel	637.81.330

Order qty: Multiples of 20 pcs



Version with pre-mounted nails shown



Plinth panel clip

- Choice of 2 fixing methods; screw fixing or with pre-mounted nails
- With panel holder

Fixing method	Screw fixing	Pre-mounted nails
Cat. No.	637.81.340	637.81.341

Order qty: Multiples of 20 pcs

TCH-FF 2010, HUK. Dimensional data not binding. We reserve the right to alter specifications without notice.