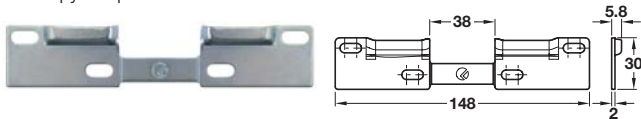


Libra H1 concealed cabinet hanger

- Unhanded
- Features an innovative anti-turnover device
- Cabinet hanger concealed behind rear panel, only cover caps visible inside the cabinet
- A 3.5 x 20 mm lateral wood screw secures permanently the cabinet hanger in place (not provided)
- Vertical and horizontal adjustment. The two movements are 100% independent of each other and therefore make the adjustments much easier and more efficient
- Vertical adjustment: 13 mm
- Horizontal adjustment: 12 mm
- Load carrying capacity: 200 kg per pair
- Steel

Finish	Cat. No.
Zinc-plated	290.41.900

Order qty: 1 pc



Libra WP1 double wall fixing plate

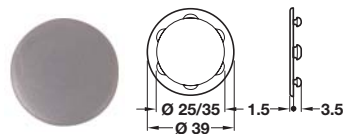
- For use with concealed cabinet hanger **290.41.900**
- Optimised placement of the holes for wall-fixation to reduce the stress on the plates and on the plugs
- To split in two parts
- Steel

Finish	Cat. No.
Zinc-plated	290.41.990

Order qty: 1 pc

Round cover caps

- For use with cabinet hangers **290.41.900** and **290.41.910**
- Plastic

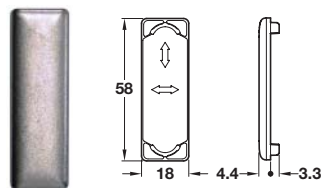


Finish	Ø 25 mm	Ø 35 mm
Silver	290.36.981	-
Beige	-	290.36.480
White	-	290.36.780
Brown	-	290.36.180

Order qty: Multiples of 100 pcs

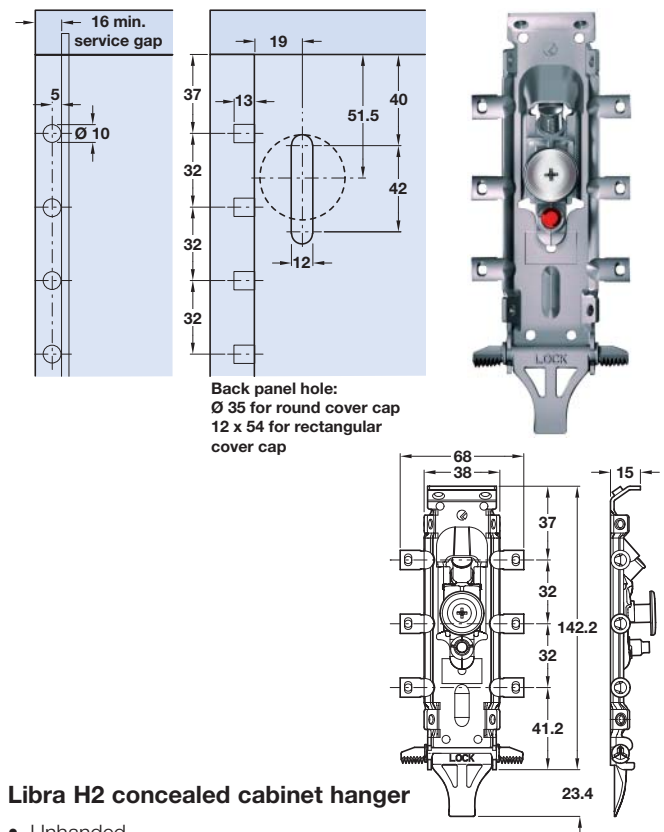
Rectangular cover caps

- For use with cabinet hangers **290.41.900** and **290.41.910**
- Zinc alloy



Finish	Cat. No.
Nickel-plated	290.36.760

Order qty: Multiples of 100 pcs

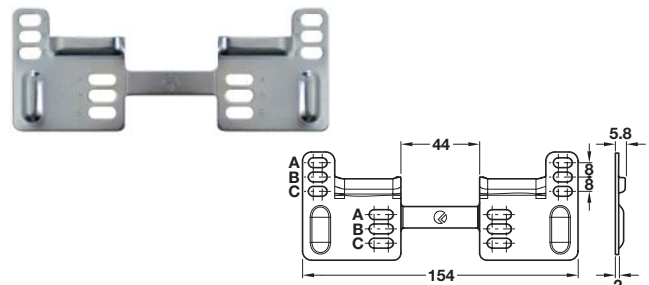


Libra H2 concealed cabinet hanger

- Unhanded
- Features an innovative anti-turnover device
- Cabinet hanger concealed behind rear panel, only cover caps visible inside the cabinet
- Slots into side cabinet by making four face borings and secured in position by rotating 180° the locking pin with ridges
- A 3.5 x 20 mm lateral wood screw secures permanently the cabinet hanger in place (not provided)
- Vertical and horizontal adjustment. The two movements are 100% independent of each other and therefore make the adjustments much easier and more efficient
- Vertical adjustment: 13 mm
- Horizontal adjustment: 12 mm
- Load carrying capacity: 180 kg per pair
- Steel

Finish	Cat. No.
Zinc-plated	290.41.910

Order qty: 1 pc



Libra WP2 double wall fixing plate

- For use with concealed cabinet hanger **290.41.910**
- **B** = Standard wall fixing position
- **A** and **C** = Vertical repositioning ±10 mm
- To split in two parts
- Steel

Finish	Cat. No.
Zinc-plated	290.41.991

Order qty: 1 pc