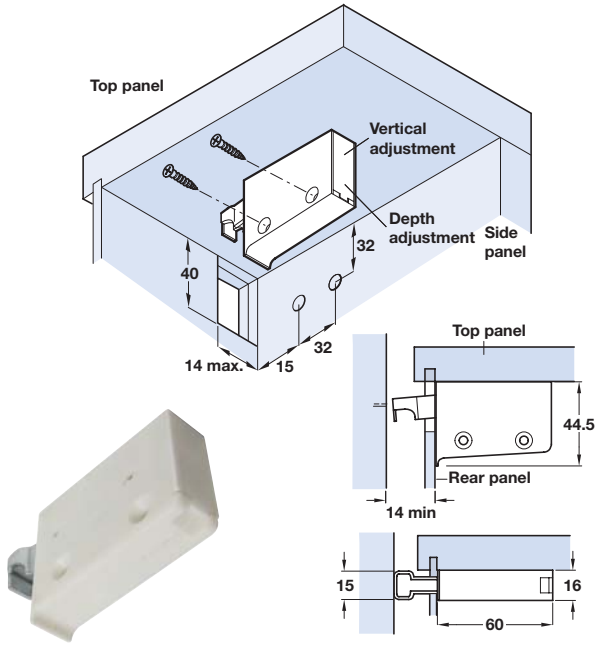


Cabinet Fittings

Plastic Cabinet Hangers

Important note: For safety reasons, the cabinet hangers must be fitted in the upper third of the cabinet

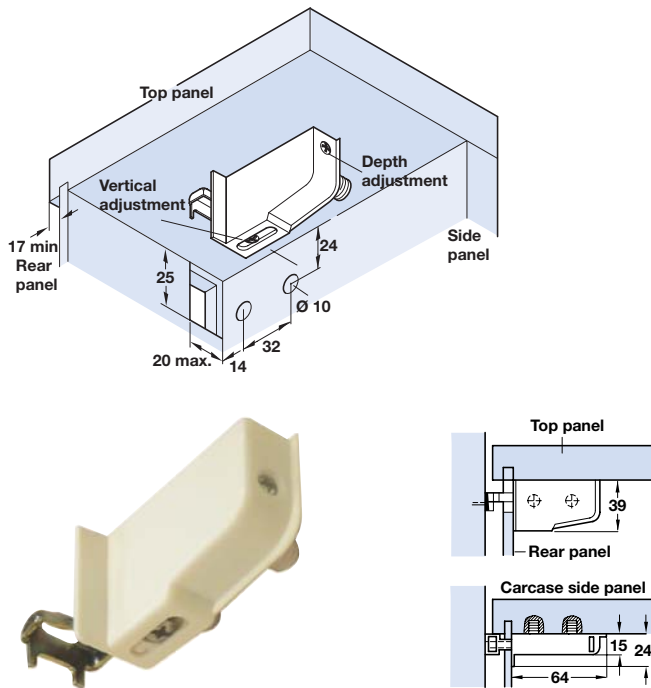


Cabinet hanger, screw mounting

- Unhanded
- Plastic

| Finish | Cat. No. |
|--------|------------|
| White | 290.00.740 |

Order qty: 1 pc

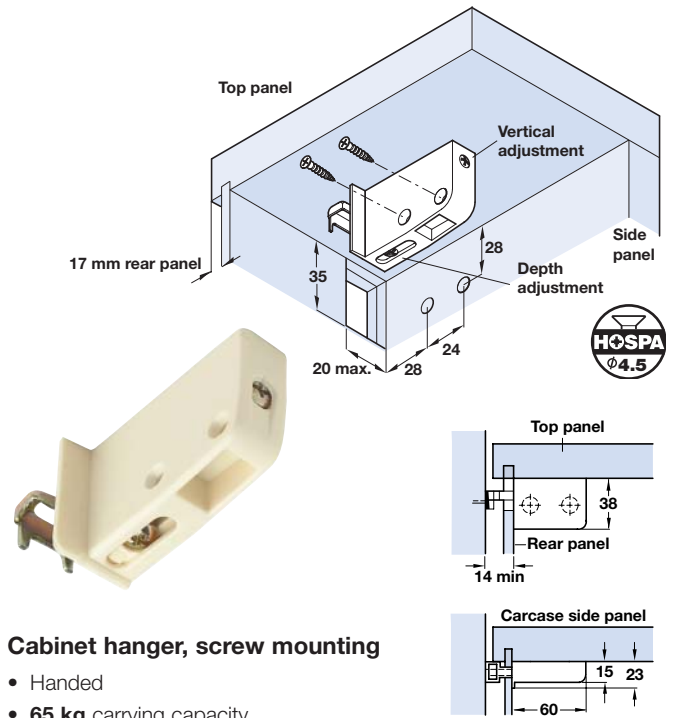


Cabinet hanger, Ø 10 mm dowel mounting

- Handed
- 65 kg carrying capacity
- Plastic

| Finish | Left hand | Right hand |
|------------------------|------------|------------|
| Cream white (RAL 9001) | 290.18.451 | 290.18.450 |

Order qty: 1 pc



Cabinet hanger, screw mounting

- Handed
- 65 kg carrying capacity
- Plastic

| Finish | Left hand | Right hand |
|------------------------|------------|------------|
| Cream-white (RAL 9001) | 290.00.401 | 290.00.400 |

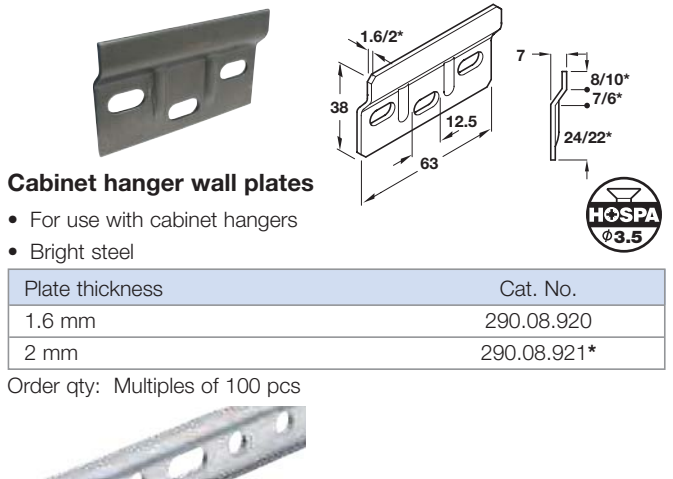
Order qty: 1 pc

Cabinet hanger wall plate

- For use with cabinet hanger
- Steel

| Finish | Cat. No. |
|-------------|------------|
| Zinc-plated | 290.19.900 |

Order qty: 1 pc (2 pcs required)

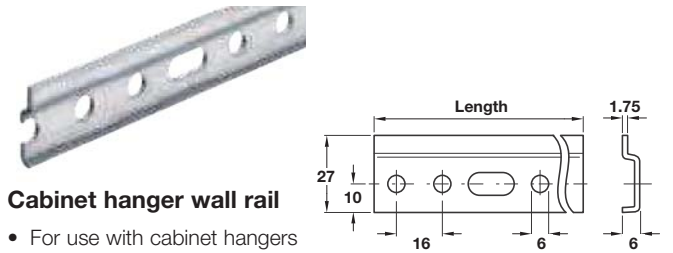


Cabinet hanger wall plates

- For use with cabinet hangers
- Bright steel

| Plate thickness | Cat. No. |
|-----------------|-------------|
| 1.6 mm | 290.08.920 |
| 2 mm | 290.08.921* |

Order qty: Multiples of 100 pcs



Cabinet hanger wall rail

- For use with cabinet hangers
- Galvanized steel

| Length | Cat. No. |
|---------|------------|
| 2032 mm | 290.10.900 |

Order qty: 1 pc