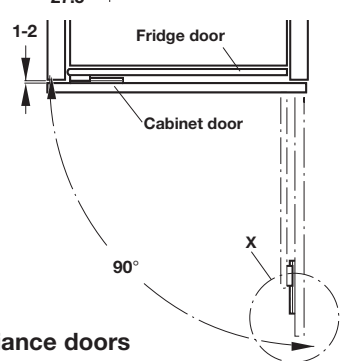
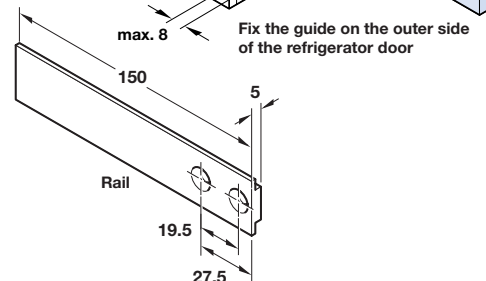
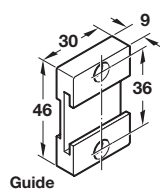
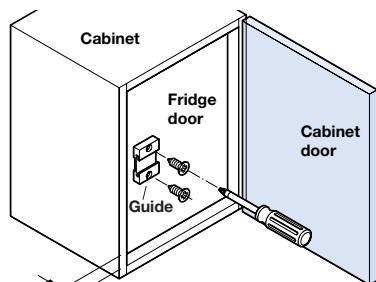


Open the refrigerator door by 90° and insert the rail into the guide (see "X" on plan drawing).  
Screw on the rail exactly horizontally on the inner side of the cabinet door.

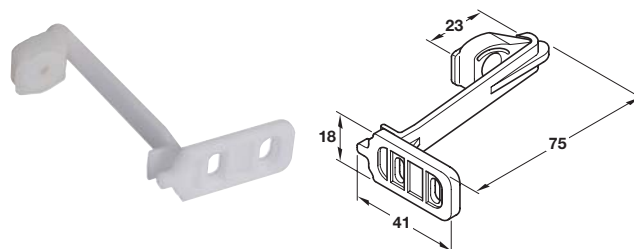


### Connecting fitting for appliance doors

- Two part fitting for attaching a cabinet door to an appliance door so both open together
- One or two sets may be needed according to size of door
- Fixing screws supplied
- Plastic

Finish	Cat. No.
Brown	568.16.007

Order qty: 1 pc (1 pc = 1 set including 4 screws)



### Child safety catch for drawers

- Fit to the inside of cabinet and drawer front
- Helps to prevent drawer being opened by a child
- To open, press lever and release catch
- Plastic

Finish	Cat. No.
White	558.81.000

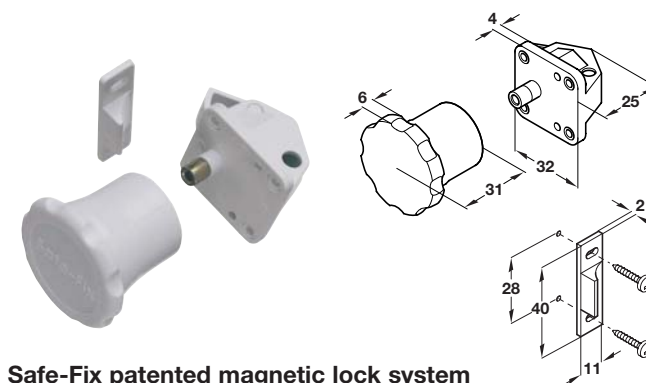
Order qty: 1 pc



Use Safe-Fix Key to open latch mechanism



Latch opens when the key contacts the door



### Safe-Fix patented magnetic lock system

- Externally invisible lock, the key can be kept in a safe place out of the reach of children
- A magnetic key placed on the door releases the catch. When the magnet is removed the catch springs back so when the door is closed, it stays locked
- Consists of: 2x Templates, 2x Striking plates, 12x Ø 4 mm pan head screws, 1x Drill guide, 1x Magnetic key, 2x Adhesive pads, 2x Locks and plungers, 1x fitting instructions
- Plastic

Finish	Cat. No.
White	245.41.790

Order qty: 1 set

TCH-FF 2010, HUK. Dimensional data not binding. We reserve the right to alter specifications without notice.