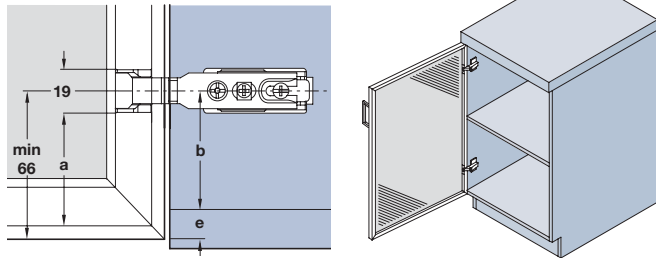


Aluminium profiles and accessories for glass door assembly

- To determine glass panel dimensions:
Thickness 4 mm (toughened glass)
Glass size = external dimension of the door - 44 mm (maximum door size 500 x 900 mm)
- Assembly of profile frame and glass
 - Assemble 3 sides of the frame
 - Slide in glass panel
 - Affix side of the frame to complete the door



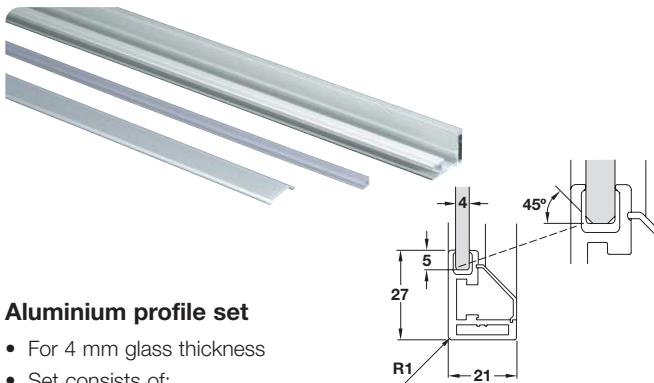
e = coverage of the bottom by the door

b = distance between bottom upper edge and hinge arm axis

$$c = b - e - 14.5$$



Safety notice: Please note it is important to use toughened glass designed for furniture manufacture



Aluminium profile set

- For 4 mm glass thickness
- Set consists of:
 - 1x Natural anodised aluminium profile, 3 m
 - 1x Grey plastic cover profile, 3 m
 - 1x Transparent plastic gasket, 3 m

	Cat. No.
Profile set	563.29.903

Order qty: 1 set

Corner connector

- With pre-mounted screws
- Zinc alloy



Finish	Cat. No.
Nickel-plated	563.29.600

Order qty: 1 pc

Note: Hinge dimensions and gap calculation based on factory settings



Full overlay, 0 crank

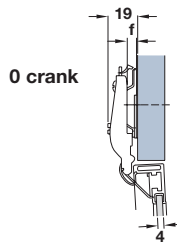


Half overlay, 8 crank



Inset, 15 crank

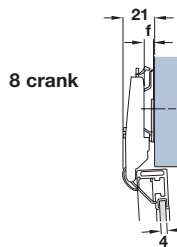
Maximum door overlay	7 mm	15 mm
Mounting plate thickness	2 mm	4 mm



0 crank

Drawing shows mounting plate thickness $f = 2$

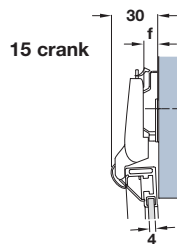
Maximum door overlay	11 mm	9 mm	7 mm
Mounting plate thickness	0 mm	2 mm	4 mm



8 crank

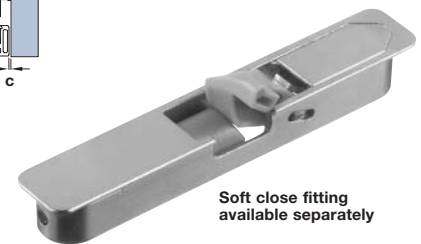
Drawing shows mounting plate thickness $f = 2$

Gap	1 mm
Mounting plate thickness	4 mm



15 crank

Drawing shows mounting plate thickness $f = 4$



Soft close fitting available separately

Profile frame hinge with click on arms

- For full, half overlay or inset doors
- Opening angle 95°
- Nickel-plated zinc alloy cup and arm, 0 crank hinge with steel arm
- Order click on mounting plates separately shown in **Section 6** from page **22**
- Soft close fitting available separately

	Cat. No.
For full overlay doors, 0 mm crank	563.29.610
For half overlay doors, 8 mm crank	563.29.611
For inset doors, 15 mm crank	563.29.612
Soft close fitting	322.67.110

Order qty: 1 pc