

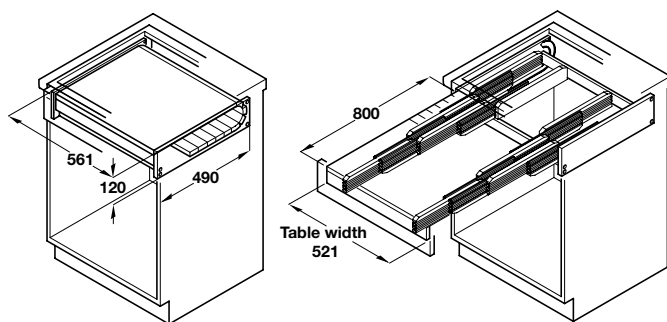
Ironfix wall mounting ironing board

- Available with or without covering hood
- With turning mechanism; swivel range 180°
- Can be locked in left, right or inclined position
- Complete set comprises 1x wall mounting bracket, 1x folding support, 1x folding ironing board, 1x ironing board cover, fixing materials, operating and mounting instructions
- White (RAL 9016) plastic coated steel ironing board
- Aluminium coated cotton cover with foam lining and elastic gathering, suitable for all kinds of irons, steam permeable
- White (RAL 9016) polystyrene covering hood
- Replacement covers are available



Type	Cat. No.
Ironing board without hood	568.66.733
Ironing board with hood	568.66.723
Replacement cover for ironing board	568.60.923

Order qty: 1 pc



Rapid pull out table

- Self supporting table
- A complete assembly for installation in place of a drawer in a standard 500 or 600 mm wide base cabinet
- Load bearing capacity 100 kg
- Wooden assembly section and guides
- Partially slatted laminated table top

For cabinet width	Finish	Cat. No.
500 mm	White/grey flecked	505.58.700
600 mm	Stainless steel effect	505.58.002
600 mm	Beech effect	505.58.302

Order qty: 1 pc



White/grey flecked



Stainless steel effect



Beech effect

TCH-FF 2010, HUK. Dimensional data not binding. We reserve the right to alter specifications without notice.