

- Application:** Wherever rooms need closing with unobtrusive, reliable all glass sliding doors at optimum price/performance, e.g. in hotels, restaurants, conference rooms, airports, office buildings or private residential interior and out-door applications

- Range:** Max. door weight **40 kg**
Glass thickness **8-10 mm**
Max. door width **1200 mm**

A Junior 40 single top track

Pre-drilled for mounting screws. Aluminium

Finish	Silver anodised	St. steel effect
2.0 m	940.40.200	940.40.204
3.0 m	940.40.300	940.40.304
3.5 m	940.40.350	940.40.354

Order qty: 1 pc (2.0, 3.0 or 3.5 m length)

B Junior 40/GL fitting set

B Trolley hanger. Sleeve bearing mounted, high-grade polyamide tandem rollers with M8 hanger bolt and patch suspension unit for clamping glass panel

C Track stopper. For adjustable mounting in top track. Zinc alloy housing with steel spring and rubber buffer. Adjustable retaining force

D Glass retainer profile. Length 240 mm. Aluminium

E Cover caps, for glass retainer profile. Anthracite-grey plastic

F Fitting set, for 2 glass suspension profiles (1 horizontal profile). Set = 4 pcs.

Fixing materials and adjustment tools included

For 1 door	
B Trolley hanger with suspension plate	2 pcs
C Track stopper	2 pcs
D Glass retainer profile	2 pcs
E Cover caps (set of 2 pcs)	1 set
F Fitting set (4 pcs)	1 set
Cat. No.	940.41.005

Order qty: 1 set

G Cover profile set. 2 pcs cover profile and clip-on rubber, for 1 horizontal profile. Aluminium

Finish	Silver anodised	St. steel effect
Length 1.2 m	940.41.405	940.41.408

Order qty: 1 set

H Glass fixing parts, for glass retainer profile **D**
Must be ordered to match glass thickness

Glass thickness	8 mm	9.5 mm	10 mm
Cat. No.	940.41.050	940.41.051	940.41.052

Order qty: 1 set (8 pcs) (1 set required per panel)

I Sliders for glass. Self adhesive - press on. Transparent impact resistant PVC

For glass thickness	Cat. No.
8 mm	940.40.033
10 mm	940.40.034

Order qty: 1 pack (6 pcs) (1 pack required per panel)

J Channel. Pre-drilled for countersunk screws. Anodised aluminium

Length	2.5 m	3.5 m
Cat. No.	940.41.250	940.41.350

Order qty: 1 length

K Single floor guide, glass

1 sliding 8/10 mm glass panel. Screw fixing, surface mounted. Rattleproof, grey plastic

Cat. No.	940.40.032
----------	------------

Order qty: 1 pc (1 pc required per panel)

L Distance plate. To be fixed with bottom guide

Cat. No.	940.40.036
----------	------------

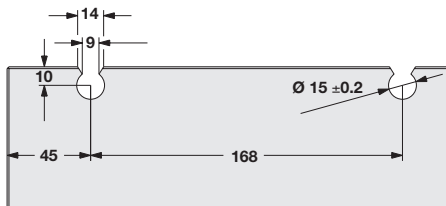
Order qty: 1 pc

M Bottom door stopper with buffer. Satin chrome

Cat. No.	940.40.052
----------	------------

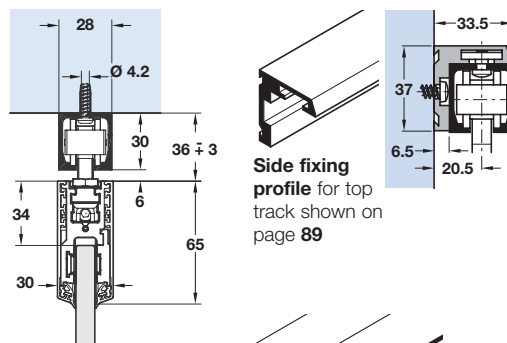
Order qty: 1 pc

Features: Top track stopper with adjustable retention force, height-adjustable without removing door panels, cover plates in various finishes, rattle-proof bottom guide for sliding glass doors, simple assembly, can be used with HAWA-Toplock and wall joint profile and HAWA-Junior angle profile for side fixing to an adjacent wall



Glass cut-out detail

Only toughened safety glass (ESG) should be used



Side fixing profile for top track shown on page 89

