

• Application:

Version of EKU Porta 100 GW with fixed glass support profile. This is particularly suitable for hotels, offices, schools etc. where panels may have to be replaced on a regular basis.

• Range:

Maximum door weight **100 kg**
 For glass door thickness **8-12 mm**
 Max. glass panel height **2700 mm**
 Max. glass panel width **1600 mm**

A Top track

Silver anodised aluminium.

Length	2.5 m	3.5 m
Cat. No.	941.00.256	941.00.356

Order qty: 1 pc (2.5 or 3.5 m length)

B Fascia profile

To clip onto top track. Anodised aluminium

Length	2.5 m	3.5 m
Cat. No.	941.01.025	941.01.035

Order qty: 1 pc (2.5 or 3.5 m length)

C Wall profile

For fixed panel. Silver anodised aluminium

Length	2.5 m	3.0 m
Cat. No.	941.12.525	941.12.535

Order qty: 1 pc (2.5 or **3.0 m** length)

D Screening seal

For mounting in top track and fascia profile. Black plastic, in 20 m rolls

Cat. No.	941.00.094
----------	------------

Order qty: 1 roll (20 m length)

Porta 100 GW fitting set

- E Trolley hanger**, with plastic rollers, with M8 pendant bolt with locknut.
 - F Clamping shoe set**. Adjustable clamp for 8-12.7 mm thick glass. Aluminium
 - G Track stopper with spring**. For mounting in top track. Light grey plastic.
 - H Track stopper without spring**. For mounting in top track. Light grey plastic.
 - I Fascia profile clip**. Light grey plastic.
 - J Rubber buffer**. Black rubber
 - K Bottom guide**. Anodised aluminium
- Fixing materials included

For 1 door	
E Trolley hanger	2 pcs
F Clamping shoe set	2 pcs
G Track stopper with spring	1 pc
H Track stopper	1 pc
I Fascia profile clip	12 pcs
J Rubber buffer	1 pc
K Bottom guide	1 pc
Cat. No.	941.00.005

Order qty: 1 set

L U-shaped guide track

Pre-drilled. Silver anodised aluminium.

Length	2.5 m	3.5 m
Cat. No.	941.01.725	941.01.735

Order qty: 1 pc (2.5 or 3.5 m length)

M Fixing set. For fixed glass support profile. Silver anodised aluminium.

Cat. No.	941.01.899
----------	------------

Order qty: 1 set

N Sealing profile. Black plastic.

Cat. No.	941.00.103
----------	------------

Order qty: 1 roll (20 m length)

O Protective cover profile. 2.0 m length. Plastic.

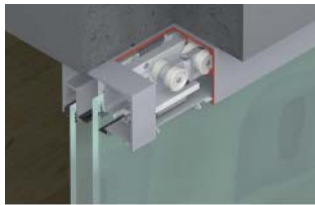
Cat. No.	941.00.207
----------	------------

Order qty: 1 pc (2.0 m length)

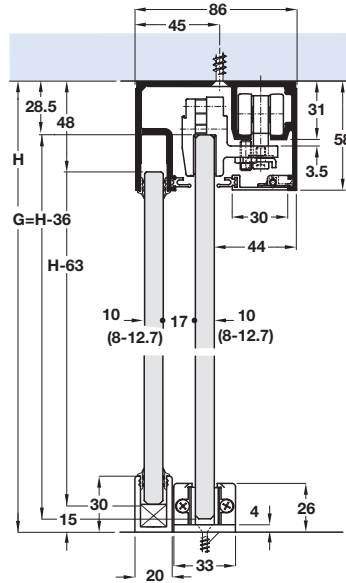
P Milling jig

Cat. No.	941.00.095
----------	------------

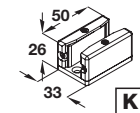
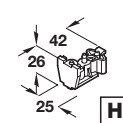
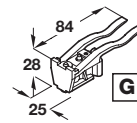
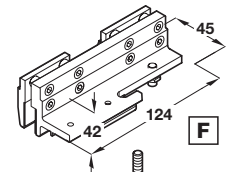
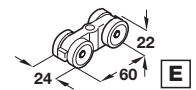
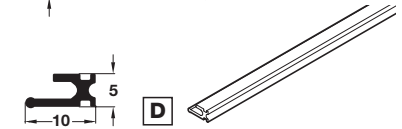
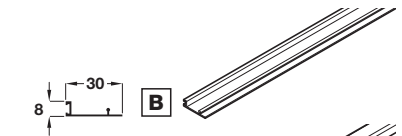
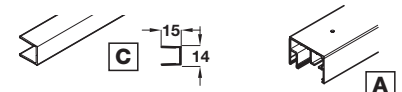
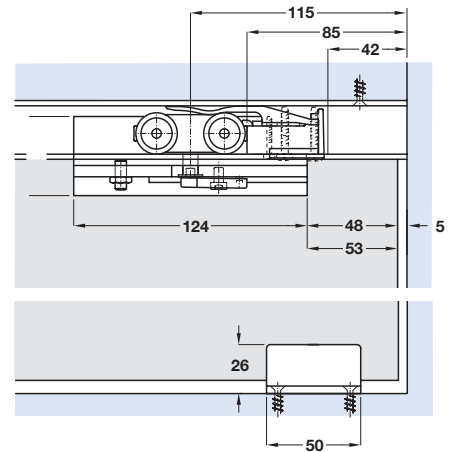
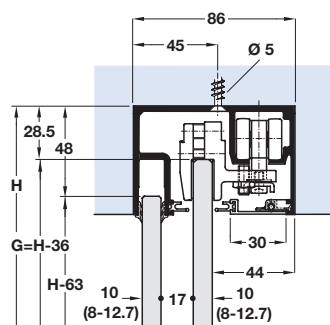
Order qty: 1 pc



Item C.
 Catalogue shows 3.5 m
 Correct dimension is 3.0 m



Mounting example flush with ceiling



17.08.10/1*

TCH-A1 2008, HUK. Dimensional data not binding. We reserve the right to alter specifications without notice.