

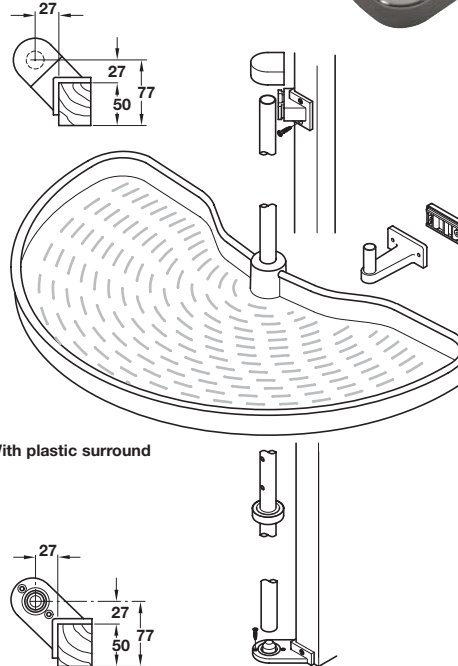
With chrome rail



With aluminium effect rail

A Half circle carousel set

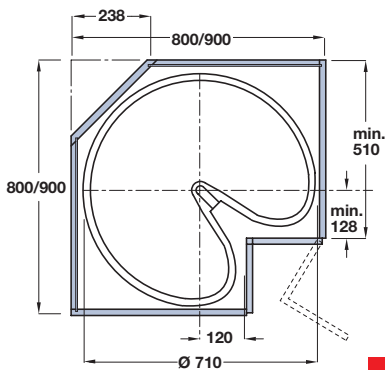
- Two sizes of shelf available for min. door width 440 mm and 490 mm
- Shelves swivel independently
- For fitting in cabinets with hinged door
- Grey plastic tray with non-slip surface and chrome-plated steel or aluminium effect plastic railing
- **Half circle carousel shelf.**
- **Fitting set** comprising spindle, upper and lower fittings, shelf bearings and brake mechanism. Fittings attach the spindle to the cabinet at the top and base.
- **Shelf follower**, for mounting on the cabinet door automatically pulls out the shelf when the door is opened.



With plastic surround

Item	No. of items included	
Carousel shelf	2 pcs	
Fitting set	1 set	
Shelf follower	1 pc	
Aluminium effect rail Chrome rail		
Spindle height: 410 mm		
For min. door width	Cat. No.	
440 mm	542.84.500	542.84.200
Spindle height: 490 mm		
For min. door width	Cat. No.	
490 mm	542.84.510	542.84.210

Order qty: 1 pc



Item B.
Text removed
Shelves do not swivel independently

B Three-quarter carousel set

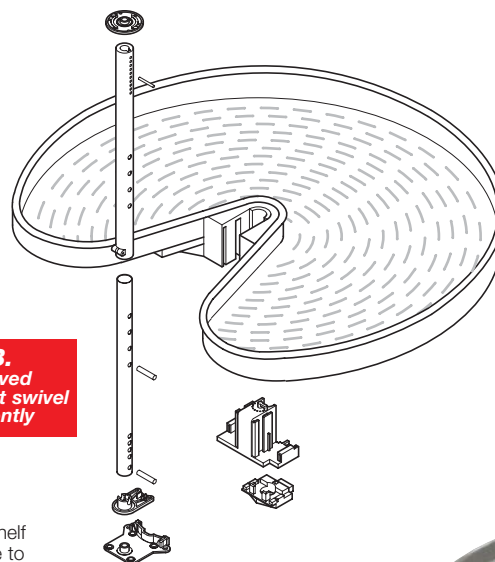
- For 800 x 800 mm or 900 x 900 mm cabinets
- For fitting in cabinets with hinged door

A Three-quarter circle carousel shelf

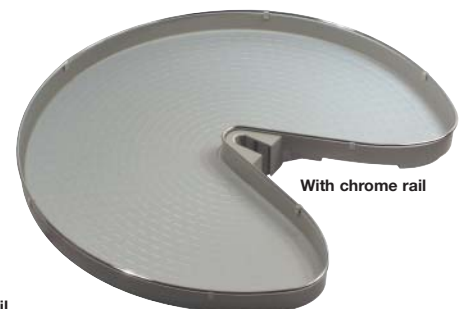
- **B Fitting set** comprising spindle, upper and lower fittings, shelf bearings and brake mechanism. Fittings attach the spindle to the cabinet at the top and base.
- Grey plastic tray with non-slip surface and chrome-plated-steel or aluminium effect plastic railing

Item	No. of items included	
Carousel shelf	2 pcs	
Fitting set	1 set	
Aluminium effect rail Chrome rail		
Spindle height: 667-713 mm		
For cabinet width	Cat. No.	
800/900 mm	542.85.550	542.85.250

Order qty: 1 pc



With aluminium effect rail



With chrome rail

Dimensions in mm

We reserve the right to alter specifications without notice.