

A Stainless steel inset 1 1/2 bowl and drainer

- For min. 600 mm base unit
- Main bowl 360 x 424 mm, depth 155 mm
- 2nd bowl 156 x 300 mm, depth 125 mm
- Cut-out 930 x 488 mm
- Reversible drainer
- 2x Ø 35 mm tap holes
- Ø 89 mm waste size
- For basket strainer waste
- Polished stainless steel
- **Waste kit and taps are not included with the sink**

Sink	565.61.140
Accessories	
Strainer bowl	565.64.801
Food preparation board	565.64.901

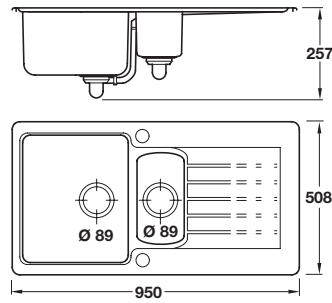
Order qty: 1 pc

B Waste kit

- For use with sink A

Cat. No.	565.61.981
----------	------------

Order qty: 1 pc



The accessories for this sink can be found on pages 248 and 249

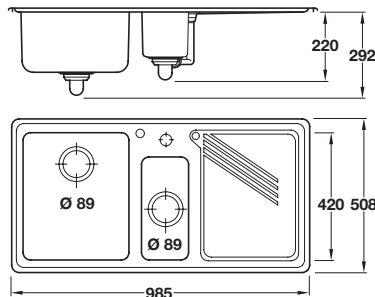
Item B.
Photo added

C Stainless steel inset 1 1/2 bowl and drainer

- For min. 600 mm base unit
- Main bowl 350 x 420 mm, depth 190 mm
- 2nd bowl 156 x 342 mm, depth 120 mm
- Cut-out 965 x 488 mm
- Handed drainer
- 1x Ø 35 mm tap hole
- Ø 89 mm main waste size
- With 2 pop up strainer wastes and extra basket strainer waste for 1/2 bowl
- Waste kit included
- Polished stainless steel
- **Taps are not included with the sink**

Handed	Cat. No.
Drainer on left	565.60.130
Accessories	
Draining basket	565.64.850
Strainer bowl	565.64.802

Order qty: 1 pc



The accessories for this sink can be found on page 249

