

Important note: For safety reasons, the cabinet hangers must be fitted in the upper third of the cabinet.

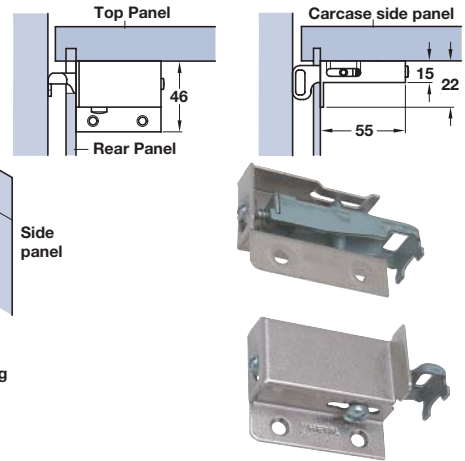
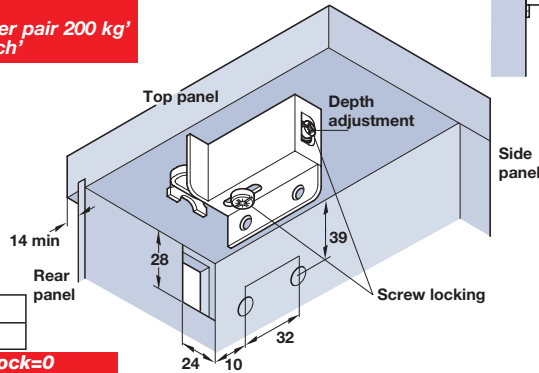
Item A.
Catalogue shows... 'Load carrying capacity per pair 200 kg'
Correct description is... '65 kg each'

A Cabinet hanger, screw mounting

- Handed
- For screw mounting
- Vertical adjustment: 16 mm
- Depth adjustment: 15 mm
- Lateral adjustment: 6 mm
- Load carrying capacity **65 kg each**
- Steel

Finish	Left hand	Right hand
Nickel-plated	+ 290.20.911	-

Order qty: 1 pc **Discontinued when stock=0**
For 290.20.911 use alt. no. 290.02.701



B Concealed cabinet hanger

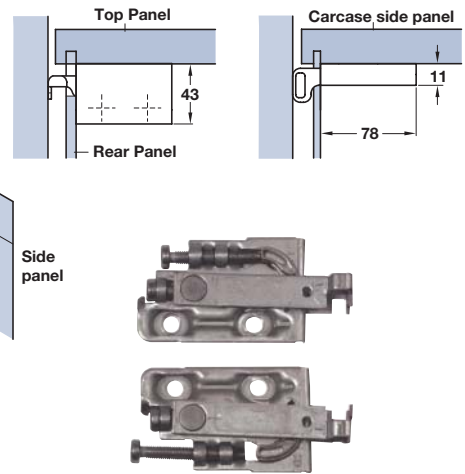
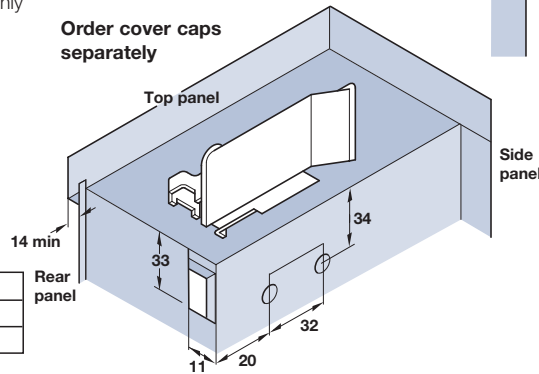
- Use with cabinet hanger wall plate **C**
- Left or right handed
- Screw-in
- Cabinet hanger concealed behind rear panel, only cover caps **D** visible inside the cabinet
- Allows three independent adjustments, easily accessible from the front side
- Max. cabinet weight: **260 kg**
- Vertical adjustment: **13 mm**
- Horizontal adjustment: **8 mm**
- Depth adjustment: **17 mm**
- Euro screws included
- Load carrying capacity **65 kg each**
- Zinc-plated steel

Handed	Cat. No.
Left	290.21.921
Right	290.21.920

Order qty: 1 pc

Item B.
Load carrying capacity added

Order cover caps separately

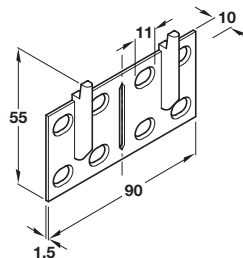


C Double wall mounting plate

- For use with cabinet hangers **B**
- Mounting plates can be split into two, to be fitted to end units as a single mounting plate
- Zinc-plated steel

Cat. No.	290.15.930
----------	------------

Order qty: 1 pc



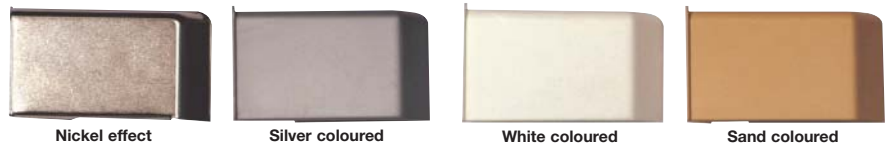
D Cover cap

- For use with concealed cabinet hangers **B**
- Left or right handed
- Matt nickel plated aluminium or coloured plastic

Finish	Left handed	Right handed
Matt nickel	290.14.611	290.14.610
White (Ral 9001)	290.14.711	290.14.710
Silver col. (Ral 9006)	290.14.911	290.14.910
Sand col. (RAL 1002)	290.14.411	290.14.410

Order qty: 1 pc

Item D.
Text added Photo shows left handed cover cap

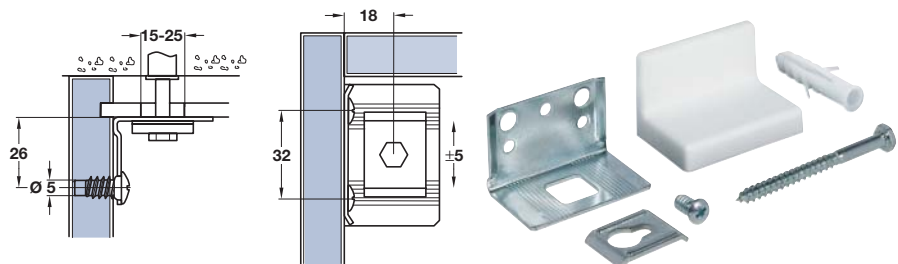


E Cabinet hanger

- For mounting on the left, right or in the middle
- Cover cap included, 56 x 35 mm
- Screw fixing
- Vertical adjustment: 8 mm
- Side adjustment: 8 mm
- Load bearing capacity: **150 kg per pair**
- Galvanized steel

Cover cap colour	White	Brown
Cat. No.	290.22.700	290.22.100

Order qty: 1 pc



We reserve the right to alter specifications without notice.

Dimensions in mm