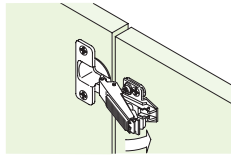


- Opening angle **125°**
- Choice of -14° or -24° angle hinge
- Sprung
- Ø 35 mm cup
- Screw fixing cup
- Click on arms
- Nickel-plated zinc alloy cup and arm
- **Mounting plates** for click on hinges are shown on pages **21-22**
- **Hinge arm cover plates** are shown on page **23**
- **Soft close fitting** for **14° negative angle** hinges shown on page **23**



**Click on**

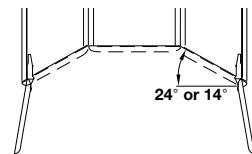
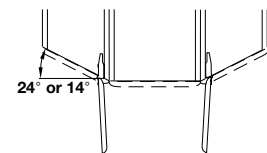
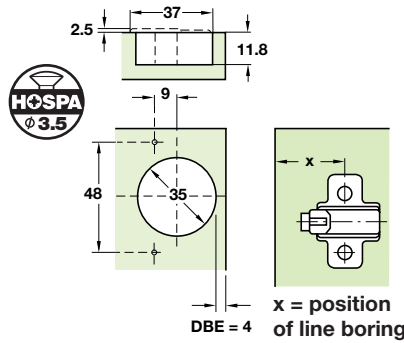
**Clip on system, sprung**

Negative angle	Screw fixing
14°	322.40.630
24°	322.40.631

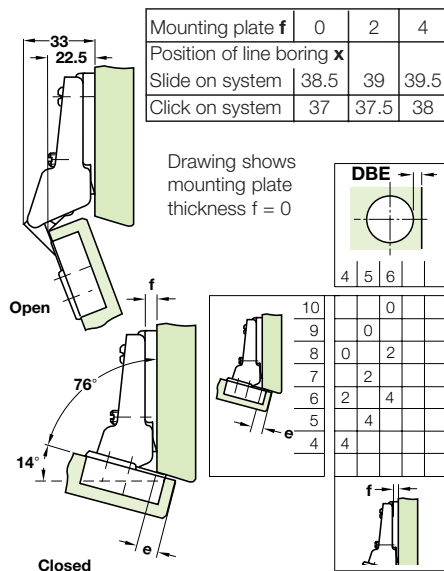
Order qty: Multiples of 10 pcs



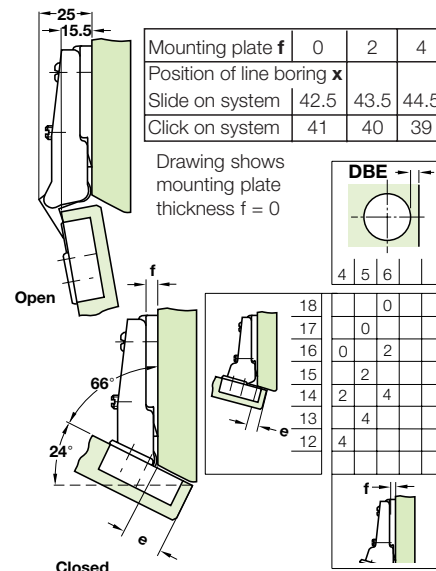
### Screw fixing



### 14° Negative angle hinge



### 24° Negative angle hinge



Dimensions in mm

We reserve the right to alter specifications without notice.