

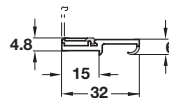
### B Closure strip

- Screw fixing
- For **two door closing**
- For use with **Piccolo-Nova** or **Push-Lock** locks
- Plastic

Finish	Cat. No.
White (RAL 9016)	239.93.752

Order qty: Multiples of **2.5 metres**

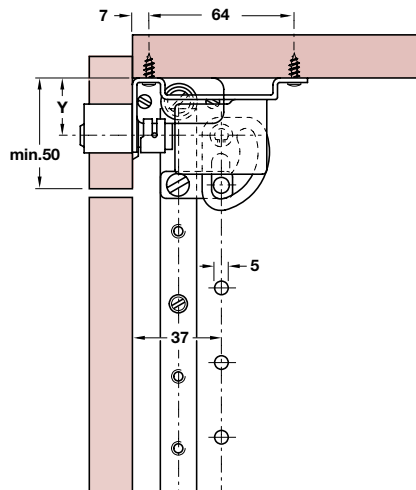
### Item B. Drawing and photo amended



### C Cam plate

Handed	Cat. No.
Right handed	237.14.909
Left handed	237.14.918

Order qty: 1 pc



### D Rod guides

- Screw fixing
- With  $\varnothing$  6.4 mm hole to suit  $\varnothing$  6 mm rods
- Zinc alloy with plastic guides

Finish	With cover
Nickel-plated	239.75.761

Order qty: 20 and 200 pcs

