

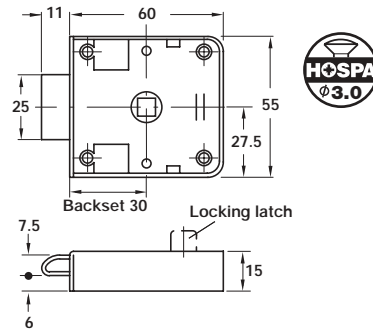
Lock and rotary handles with 7 mm square spindle are shown on page 113
Striking plates are shown on page 111

A Sprung rim lock

- With aperture for 7 mm square spindle
- Backset: 30 mm
- Screw fixing
- Can be mounted left or right
- Available with locking latch to lock the door from the inside
- Nickel-plated steel case with plastic aperture

Type	Cat. No.
Without locking latch	225.14.709
With locking latch	225.14.718

Order qty: 1 pc

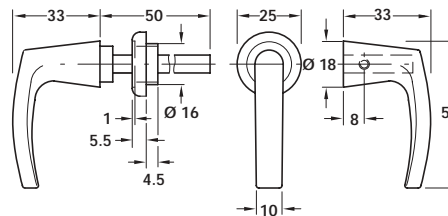


B Door handle set

- With 7 mm square spindle and rosette for use with lock cases with 7 mm square aperture
- Plastic

Finish	Cat. No.
Brown	227.40.101

Order qty: 1 pc

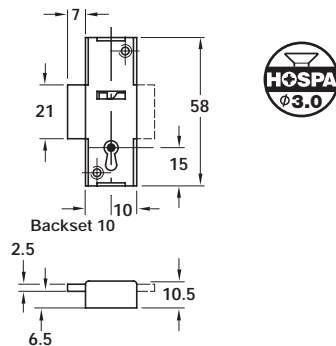


C Lever rim lock

- For lever bit key
- Backset: 10 mm
- Screw fixing
- Can be mounted left or right
- With through locking bolt
- 6 possible key changes
- Matt nickel-plated steel case
- Accessories: 1 nickel-plated ring key

Cat. No.	218.00.700
----------	------------

Order qty: 1 pc



Striking plates are shown on page 111



D Lever rim lock

- For lever bit key
- Backset: 15 or 30 mm
- Screw fixing
- Left, right or drawer use
- 6 possible key changes
- Polished nickel-plated steel case
- Accessories: 1 nickel-plated ring key

Backset 15 mm

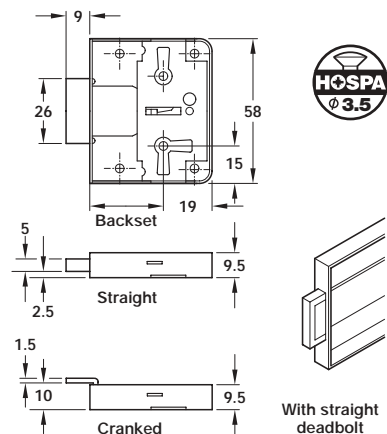
Random key changes	Cat. No.
Straight deadbolt	211.10.207

Order qty: 1 pc

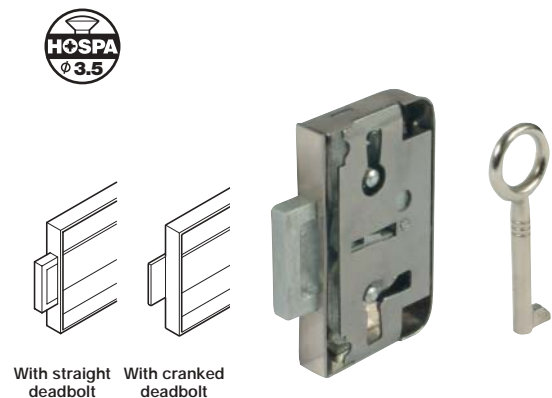
Backset 30 mm

Random key changes	Cat. No.
Straight deadbolt	211.10.234
Cranked deadbolt	211.29.304

Order qty: 1 pc



Striking plates are shown on page 111



Dimensions in mm

We reserve the right to alter specifications without notice.