

Column foot **A** and column insert **B** are for use with column **A** shown on page 20

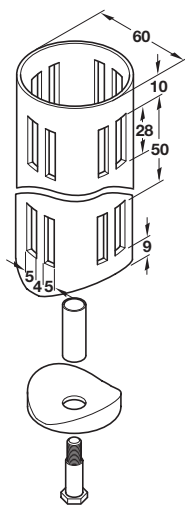


**C** Round column, double slotted on 4 sides

- Ø 60 mm
- With threaded plate for screw mounting to feet
- Screws, sleeves and washer included
- Silver coloured (RAL 9006) plastic coated steel

Length	Cat. No.
1410 mm	770.19.214
2210 mm	770.19.222

Order qty: 1 pc

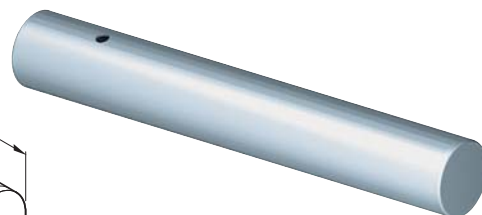
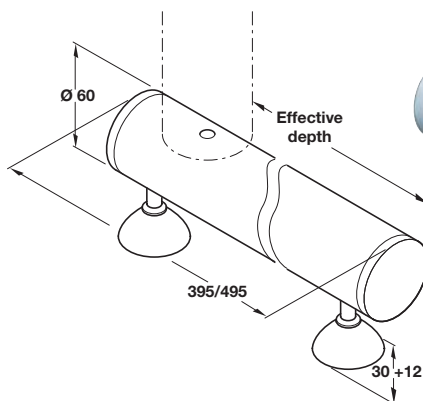


**D** Column foot

- For screw mounting to round column Ø 60 mm
- Fixing screw, spacer and washer included to attach to column
- Single foot for single sided projection
- M10 adjusting feet included
- Use castors with M10 threaded bolt as an alternative
- Silver coloured (RAL 9006) plastic coated steel

Effective depth	Cat. No.
400 mm	770.19.284

Order qty: 1 pc



Dimensions in mm

We reserve the right to alter specifications without notice.